



# Pins & Bushings, Bearings, Seals, Misc. Hardware

# SECTION M

## PINS & BUSHINGS, BEARINGS, SEALS, WASHERS, MISC. HARDWARE

---

### BEARINGS

BALL BEARINGS	M5
TAPERED BEARINGS	M6

### BUSHINGS

CASE	M2
JOHN DEERE	M4
SELF-ALIGNING BUSHINGS	M8

CUSTOM CHROME RODS	M8
--------------------	----

MISCELLANEOUS	M7
---------------	----

### PINS

CASE	M1
JOHN DEERE	M3

PRE-CLEANER BOWLS	M8
-------------------	----

SEALS	M5
-------	----

WASHERS	M7
---------	----

# CASE PINS

Part No.	lbs.	Part No.	lbs.	Part No.	lbs.	Part No.	lbs.	Part No.	lbs.		
105749A1	11	D125594	5.8	D34658	2.7	D64799	9.5	PVP2	15		
105752A1	8	D126717	4	D34789	15.2	D67308	9	PVP3	12		
118901A1	3.75	D126718	4	D34795	2.5	D67357	2.7	PVP5	8		
119097A1	3.35	D127445	15	D34796	2	D72359	3.9	PVP6	7.1		
119101A1	3.8	D129256	3.6	D35848	2.5	D74004	5	PVP7	6.1		
121665A1	8.6	D129257	3.6	D36176	1.2	D80739	3.9	PVP8	4.6		
121779A1	7.7	D129279	2.2	D37611	7.4	D89321	2.1	PVP9	12.7		
123167A2	11.65	D132492	5.6	D37614	4.6	D89838	8.6	R13427	6		
123168A2	14.05	D132493	9.9	D38907	3.6	D90727	11	R19659	8		
135247A1	6.75	D132494	20	D39631	1.5	D91240	14	R26672	14.5		
153653A1	65	D132517	3.1	D40037	2.1	D94019	5.1	R27061	7.2		
153704A1	23	D133509	6	D42911	9.1	D95312	1.8	R31965	4.2		
153705A1	23	D134723	8	D44881	2.7	K395086	0.05	R31966	5		
153741A1	47	D135690	9.3	D44882	4	KRV2669	34	R31968	28		
157148A1	43	D135692	4	D45034	10.4	KRV3050	43	R32151	6.3		
157149A1	43	D136518	8.8	D45523	10	KSV1414	59	R33048	2.7		
159459A1	65	D138022	7.8	D46467	1.3	KSV1419	65	R37269	26		
160442A1	29	D138023	9.6	D49812	2.6	KSV1420	65	R39700	6.8		
160469A1	65	D138038	9.7	D49863	6.4	KSV1460	82	R39712	2.1		
166396A1	10	D139267	3.4	D49865	10.3	L108156	5.3	R40497	14.2		
166397A1	10	D140091	11	D49866	1.8	L118672	45	R45056	2.2		
169278A1	23	D140093	8	D50695	3.8	L118674	25	R45099	18		
169279A1	23	D140095	9.7	D50696	5	L125016	57	R45247	2.1		
169280A1	44	D140096	11	D51014	2	L125176	25	R45977	4.7		
169281A1	44	D140653	4	D51045	2.1	L54419	14.4	R47945	5.8		
169282A1	47	D140655	9.3	D51391	3.6	L79012	15.4	R48920	6.3		
169283A1	47	D140657	11	D51392	1.3	L79166	9.5	R50191	2		
169284A1	65	D141142	9.9	D51393	2	L79244	3	R50774	2.1		
169285A1	65	D144420	10.3	D52386	2	PVP10	6.2	R53254	11		
169286A1	65	D146288	4.2	D52522	5.7	PVP11	9.9	R53289	26		
169287A1	65	D146779	3.3	D53818	7.4	PVP12	13.5	R56417	3.9		
170151A1	85	D147894	4.7	D55584	8.3	PVP13	17.6	R56816	26		
170153A1	85	D149033	5.9	D64171	9.4	PVP15	33.1				
190313A1	7.8	D150155	0.5	<b>MISC PINS</b>							
225775A1	22	D150619	10	PVP2	Pin	2" x 17" w/ 2 - 1/2" holes			15		
250663A1	7.15	D151065	9.7	PVP3	Pin	2" x 14" w/ 2 - 1/2" holes			12		
292385A1	8.35	D151068	10.3	PVP5	Pin	1 3/4" x 12" w/ 2 snap ring grooves			8		
345410A1	3.1	D24508	0.6	PVP6	Pin	2" x 8 1/4" w/ 1 snap ring groove w/ zerk			7.1		
386092A2	6.75	D25079	4.2	PVP7	Pin	2" x 7" w/ 1 snap ring groove w/ zerk			6.1		
405607A1	3.35	D26002	3.6	PVP8	Pin	1 1/4" x 13 1/2" w/ 1 - 3/8" hole			4.6		
405608A1	11	D28648	5.1	PVP9	Pin	2" x 14" w/ 2 snap ring grooves, w/ zerk			13		
435157A1	3.8	D29483	2.8	PVP10	Pin	1 1/4" x 18"	}		6.2		
446456A1	3.05	D30899	6.5	PVP11	Pin	1 1/2" x 20"			9.9		
A146541	1	D32930	2.5	PVP12	Pin	1 3/4" x 20"		snap ring groove	14		
A153711	1	D32933	1.7	PVP13	Pin	2" x 20"		in one end, 1/2"	18		
A39024	1	D34654	2	PVP14	Pin	2 1/4" x 24"		hole in other end			
D123653	5.1	D34655	3.7	PVP15	Pin	2 1/2" x 24"		33			

## CASE BUSHINGS

Part No.	lbs.	Part No.	lbs.	Part No.	lbs.	Part No.	lbs.
D120122	0.4	D150121	1.4	D44697	0.8	1346101C1	1.7
D121845	1.2	D151069	1.4	D46403	0.6	135248A1	0.8
D127167	0.4	D151070	2	D46405	0.1	135249A1	0.6
D127168	1.7	D151072	1.4	D49429	0.2	1542668C1	0.5
D127172	0.5	D151073	1	D50146	0.4	191017A1	1.7
D127507	0.1	D151074	0.8	D50698	1.2	1980335C1	0.3
D129240	0.6	D29325	0.4	D51545	0.8	307186A1	1.7
D129264	0.2	D30756	0.6	D52434	0.5	1316827C1	0.2
D132076	1	D30929	0.4	D52521	0.5	15-40	3.7
D135555	1.2	D30930	0.2	D55626	0.6	15-44	0.9
D135556	1.4	D30931	0.6	D60159	0.8	15-7	2.8
D135557	0.8	D30932	0.3	D61241	0.4	47-3486	5.2
D135558	1.2	D30933	0.2	D90722	1.2	607054R91	0.1
D135559	1	D31140	0.3	D91241	1.6	613524C91	1.4
D135739	1.6	D31142	0.6	D94018	0.2	7038519	0.2
D135740	1	D32789	1	D95362	0.8	70-4111T1	0.5
D135741	1	D32865	0.1	G103411	0.2	70-5517T1	0.9
D135742	1.2	D32919	0.1	G108417	1	D22200	0.2
D136565	1.6	D33023	0.8	G108525	1	D23601	2
D136569	1.6	D33024	0.4	G108526	0.5	D36203	0.9
D136570	0.4	D33047	0.2	G34854	0.3	D46620	0.5
D136571	0.6	D33635	0.4	G34875	0.6	D46942	1.4
D136573	1	D33659	0.1	L125957	2.2	D51018	2.8
D136574	0.4	D33678	0.2	L127014	2.4	G32321	0.1
D137217	1.8	D34340	0.2	L127015	2.2	L12570	1.4
D137218	1.8	D34354	0.2	L58710	0.6	L60514	0.2
D138042	1	D37392	0.2	L70791	1.6	L70006	2.8
D138047	0.6	D37443	0.8	L78951	1	R26680	3.7
D140029	0.2	D37495	0.6	R27011	1	R37021	6
D141249	0.6	D37723	0.2	R31914	1.2	R37037	8
D141555	1	D37763	0.3	30634	0.1	R40475	3.7
D144421	0.8	D38943	0.4	100696A1	0.3	R41800	5.2
D144422	1.4	D40089	0.6	109268A1	0.8	R55649	2
D144895	0.5	D40091	0.6	107124A1	0.5	R55698	9
D145080	2.4	D40243	0.2	114318A1	0.7	S104419	6.5
D145978	0.4	D42788	0.6	121778A1	1.2	S109373	2
D149079	0.4	D43940	0.2	123407A1	0.5	S229376	1.4

# JOHN DEERE PINS

Part No.	lbs.	Part No.	lbs.	Part No.	lbs.	Part No.	lbs.
3055219	84	AT207504	15	T125926	10.1	T40637	3.8
AT102224	15	AT207505	13	T125929	6.7	T40638	3.3
AT102228	17	AT207507	32	T125931	8	T44275	11.6
AT102356	39	AT207924	15	T125933	6.4	T47054	1.3
AT102751	31	AT208975	18	T125934	11	T47055	1.3
AT102752	26	AT210275	24	T125935	7.7	T59444	7.6
AT102827	24	AT211297	3.8	T125936	10	T67060	9
AT103277	15	AT217077	115	T125937	4.1	T67203	9.8
AT113692	3.2	AT217953	65	T125939	12.4	T68296	6.8
AT115976	10	AT219655	79	T125942	7.1	T68297	7.3
AT115977	18	AT219746	31	T126916	9.1	T68812	6
AT120388	7	AT301543	13	T127437	6.6	T69030	3.4
AT121737	8.1	AT308023	7.6	T133689	6.1	T69472	10
AT121738	0	AT308025	24	T138885	59	T75107	5.1
AT121739	8.1	AT308030	12	T140086	4.7	T75649	13.6
AT121740	8.1	AT308031	18	T140905	11.7	T78795	9.8
AT121741	22	AT308032	15	T142698	10.6	T78848	3.8
AT122436	8.1	AT317252	28	T144754	36	T79866	13.8
AT122438	9.25	AT318059	24	T144755	28	T80615	12.4
AT122439	8.1	AT31949	5.2	T144756	42	TH108940	21
AT122440	19	AT324237	7.7	T144757	42	TH108941	24
AT126130	24	AT48589	13	T147990	3.5	TH108942	24
AT142432	3.4	AT85792	3.5	T170879	4	TH108943	21
AT164648	85	AT86422	6.5	T170891	3.2	TH109810	47
AT171077	9.6	AT86423	4.7	T185831	10.5	TH110235	65
AT171078	7.7	AT86425	5.7	T185832	12.7	TH110236	65
AT171079	9.8	AT86427	5.1	T201909	10	TH110418	7.1
AT176536	6.5	AT86429	3.8	T21118	1.4	TH110419	11.2
AT176537	5	AU14012	4.7	T31905	3.8	TH111181	64
AT176538	7.8	AU42333	10	T32601	4.7	TH111893	8.6
AT192342	102	AU42334	8	T32677	5	TH112086	85
AT200381	8.6	T100188	4.2	T33681	3.7	U10466	1.4
AT201693	115	T100189	6.5	T33685	6	U12660	1.3
AT203599	15	T100289	4.7	T33947	5.6	U15822	5.6
AT204620	19	T100307	9.8	T34097	3.3	U16051	4
AT204623	9.25	T100378	8.5	T34425	5	U16915	1.6
AT204625	8.1	T100828	11.7	T34428	8.2	U16916	2.1
AT204626	8.1	T100954	4.1	T34457	6.1	U16920	4.6
AT204627	8.1	T104739	8.1	T34485	7.6	U16925	1
AT204640	9.25	T104741	4.4	T34529	2.6	U16963	4.7
AT204642	22	T105536	1.4	T34559	3.4	U17175	4
AT204643	8.1	T118680	9.8	T35603	29	U17266	5.4
AT205819	48	T122576	8.4	T36880	3.1	U17292	1
AT205820	61	T122600	15.1	T37598	3.7	U41528	5.4
AT205824	65	T122628	8.4	T38145	3.8	U45205	30
AT207051	13	T125914	2.6	T38674	1.3	U46074	28
AT207321	18	T125922	13.8	T38678	2.7		

## JOHN DEERE BUSHINGS

Part No.	Desc.	lbs.	Part No.	Desc.	lbs.
AT121215	bushing	1.6	T139495	bushing	3.2
AT121218	bushing	1.7	T139496	bushing	3
AT122208	bushing	1.7	T139507	bushing	2
AT122209	bushing	2	T154273	bushing	0.5
AT200451	bushing	2	T162582	bushing	1
AT200457	bushing	1	T166686	bushing	0.8
AT201695	bushing	7.5	T166714	bushing	0.4
AT203998	bushing	1.7	T166715	bushing	0.4
AT204148	bushing	1.7	T166716	bushing	0.9
AT205821	bushing	2.1	T168641	bushing	6.5
AT217750	bushing	3	T171793	bushing	2.8
AT217782	bushing	5	T187116	bushing	0.4
AT217787	bushing	2.1	T187117	bushing	0.4
AT250027	bushing	4	T25875	bushing	0.8
AT250028	bushing	2.4	T25898	bushing	0.6
D137345	bushing	0.4	T26160	bushing	0.3
H144296	bushing	1	T26161	bushing	0.4
H150964	bushing	0.6	T33669	bushing	1
H151820	bushing	1.4	T33933	bushing	1
H152140	bushing	1.6	T34259	bushing	0.1
H155419	bushing	0.8	T34301	bushing	0.8
H155420	bushing	1.4	T47070	bushing	1
H158947	bushing	1.2	T67855	bushing	1
H180402	bushing	1.2	TH103214	bushing	2.4
R72579	bushing	0.4	TH108930	bushing	2
R81487	bushing	1	TH109802	bushing	3
R81488	bushing	1	TH109807	bushing	5
R81850	bushing	1	U10616	bushing	0.4
R81968	bushing	0.8	U10666	bushing	0.4
R81971	bushing	1.6	U11013	bushing	1
R82077	bushing	1	U11121	bushing	1
R84376	bushing	1	U13064	bushing	1
R84378	bushing	1	U14111	bushing	0.3
R85556	bushing	4	U15925	bushing	1
R89683	bushing	1	U16875	bushing	1
R89940	bushing	1	U16878	bushing	1.3
R97724	bushing	1	U16935	bushing	1
R97726	bushing	1	U17170	bushing	0.4
T101084	bushing	0.6	U17186	bushing	1.4
T101148	bushing	1	U17220	bushing	0.7
T101718	bushing	4	U17221	bushing	0.6
T102950	bushing	3.8	U17279	bushing	1.2
T104249	bushing	2	U41604	bushing	0.4
T105987	bushing	0.8	U42736	bushing	0.8
T105988	bushing	0.5	U42739	bushing	0.4
T122720	bushing	0.4	U43784	bushing	3
T126935	bushing	10	U44332	bushing	0.8
T126936	bushing	1	U45284	bushing	3
T139495	bushing	3.2	U45351	bushing	3

## SEALS & BALL BEARINGS

Part No.	Desc.	lbs.	Part No.	Desc.	lbs.
<b>Case, IH, AC, Seals</b>			<b>Ball Bearings</b>		
A50547	Seal	1.8	1208	Ball Bearing	0.9
A50552	Seal	1.7	1308	Ball Bearing	1.5
D35267	Seal	0.6	6102	Ball Bearing	0.1
G101798	Seal	1.7	6103	Ball Bearing	0.1
G102856	Seal	3.1	6104	Ball Bearing	0.1
G107620	Seal	3.1	6105	Ball Bearing	0.2
G109655	Seal	1.8	6106	Ball Bearing	0.2
R39273	Seal	0.6	6107	Ball Bearing	0.3
R39274	Seal	0.9	6200	Ball Bearing	0.1
1208547H91	Seal	0.1	6201	Ball Bearing	0.1
1981095C1	Seal	1.7	6202	Ball Bearing	0.1
3115601R91	Seal	3.1	6203	Ball Bearing	0.1
604186C91	Seal	0.6	6204	Ball Bearing	0.1
604187C91	Seal	0.9	6205	Ball Bearing	0.1
604188C91	Seal	0.1	6206	Ball Bearing	0.4
655973C91	Seal	0.6	6207	Ball Bearing	0.6
662590C1	Seal	0.1	6208	Ball Bearing	0.8
662591C1	Seal	0.6	6209	Ball Bearing	0.9
675708R91	Seal	0.6	6210	Ball Bearing	1.1
70670071	Seal	0.1	6211	Ball Bearing	1.3
716720C91	Seal	0.6	6214	Ball Bearing	2.4
73133675	Seal	0.1	6215	Ball Bearing	2.6
740915C91	Seal	0.6	6216	Ball Bearing	3.2
740917C91	Seal	0.9	6217	Ball Bearing	3.2
IN2438	Seal	0.7	6215ZZENR	Ball Bearing	2.7
			6218	Ball Bearing	4.9
			6302	Ball Bearing	0.1
<b>John Deere Seals</b>			6303	Ball Bearing	0.1
AT10032	Seal	0.4	6304	Ball Bearing	0.1
AT135802	Seal	0.3	6306	Ball Bearing	0.8
AT36096	Seal	1.7	6307	Ball Bearing	1
AT36097	Seal	No Longer Available	6308	Ball Bearing	1.4
AT61855	Seal	6.3	6309	Ball Bearing	1.8
AT78941	Seal	0.3	6310	Ball Bearing	2.4
AT72157	Seal	1.7	6311	Ball Bearing	3.1
			6312	Ball Bearing	3.8
			6313	Ball Bearing	4.7
			7109	Ball Bearing	0.1
			87502	Ball Bearing	0.1
			87504	Ball Bearing	0.1
			A50144	Ball Bearing	0.6
			A50145	Ball Bearing	1.8
			AM3983T	Ball Bearing	1.1
			AT17464	Ball Bearing	1.1

## TIMKEN TAPERED BEARINGS

Part No.	Desc.	lbs.	Part No.	Desc.	lbs.	Part No.	Desc.	lbs.
362	Bearing	0.4	25520	Bearing	0.5	399A	Bearing	1.2
368	Bearing	0.8	25580	Bearing	0.8	H715310	Bearing	2.7
382	Bearing	0.6	25581	Bearing	0.8	H715311	Bearing	2.2
390	Bearing	1.6	25584	Bearing	0.8	H715345	Bearing	4.8
395	Bearing	1.3	25820	Bearing	0.4	HM218210	Bearing	1.8
1729	Bearing	0.3	25821	Bearing	0.4	HM218248	Bearing	3.9
1755	Bearing	0.4	25877	Bearing	0.7	HM516410	Bearing	1.8
2729	Bearing	0.5	25878	Bearing	0.7	HM516448	Bearing	3.1
2776	Bearing	0.7	26822	Bearing	0.4	HM516449C	Bearing	3.2
2788	Bearing	0.8	26882	Bearing	0.8	HM801310	Bearing	0.6
3525	Bearing	0.8	27620	Bearing	0.8	HM803110	Bearing	7
3578	Bearing	1.1	27684	Bearing	2	HM803149	Bearing	1.2
3720	Bearing	0.7	27687	Bearing	1.6	HM804810	Bearing	8
3780	Bearing	1.3	27690	Bearing	1.6	HM804848	Bearing	1.4
3782	Bearing	1.6	28520	Bearing	0.5	HM804849	Bearing	1.4
3820	Bearing	0.7	28580	Bearing	1.1	JH307710	Bearing	1.3
3821	Bearing	0.7	28920	Bearing	0.6	JH307749	Bearing	2.7
3876	Bearing	1.3	28985	Bearing	1.2	JH415610	Bearing	2.5
3877	Bearing	1.3	34300	Bearing	1.4	JH415647	Bearing	5.9
3920	Bearing	1.1	34301	Bearing	1.4	JHM516810	Bearing	1.8
3980	Bearing	2	34306	Bearing	1.4	JHM516849	Bearing	3.5
3982	Bearing	1.8	34478	Bearing	0.8	JLM506810	Bearing	0.4
3984	Bearing	1.7	39520	Bearing	0.8	JLM506849	Bearing	0.8
5535	Bearing	2	39590	Bearing	1.9	JLM813010	Bearing	0.7
5584	Bearing	3.5	45220	Bearing	0.8	JLM813049	Bearing	1.3
14116	Bearing	0.5	45284	Bearing	1.9	JM511910	Bearing	0.8
14124	Bearing	0.5	45291	Bearing	1.6	JM511946	Bearing	1.6
14274	Bearing	0.3	47620	Bearing	1.3	JM612910	Bearing	0.8
14276	Bearing	0.3	47687	Bearing	2.6	JM612949	Bearing	1.7
14283	Bearing	0.5	02420	Bearing	0.4	JM716610	Bearing	1.1
15101	Bearing	0.5	02474	Bearing	0.7	JM716649	Bearing	2.1
15106	Bearing	0.5	02475	Bearing	0.6	JM720210	Bearing	1.8
15123	Bearing	0.3	14119A	Bearing	0.5	JM720249	Bearing	3.6
15125	Bearing	0.4	14125A	Bearing	0.5	LM11910	Bearing	0.2
15243	Bearing	0.2	14136A	Bearing	0.6	LM11949	Bearing	0.3
15244	Bearing	0.2	14138A	Bearing	0.4	LM29710	Bearing	0.2
15245	Bearing	0.2	350A	Bearing	0.9	LM29749	Bearing	0.4
15250	Bearing	0.3	354A	Bearing	0.4	LM48510	Bearing	0.2
16282	Bearing	0.3	362A	Bearing	0.4	LM48548	Bearing	0.3
18520	Bearing	0.2	368A	Bearing	0.8	LM501310	Bearing	0.2
18590	Bearing	0.4	368S	Bearing	0.8	LM501349	Bearing	0.5
18720	Bearing	0.3	382A	Bearing	0.5	LM603011	Bearing	0.3
18790	Bearing	0.5	387AS	Bearing	0.9	LM603049	Bearing	0.6
22720	Bearing	0.5	388A	Bearing	0.9	LM67010	Bearing	0.1
22780	Bearing	0.9	390A	Bearing	1.4	LM67048	Bearing	0.3
24720	Bearing	0.3	394A	Bearing	0.7	LM67049A	Bearing	0.3
24780	Bearing	0.6	395A	Bearing	1.2	M804010	Bearing	0.5
24781	Bearing	0.6	395S	Bearing	1.2	M804049	Bearing	1

## WASHERS & MISC. PARTS

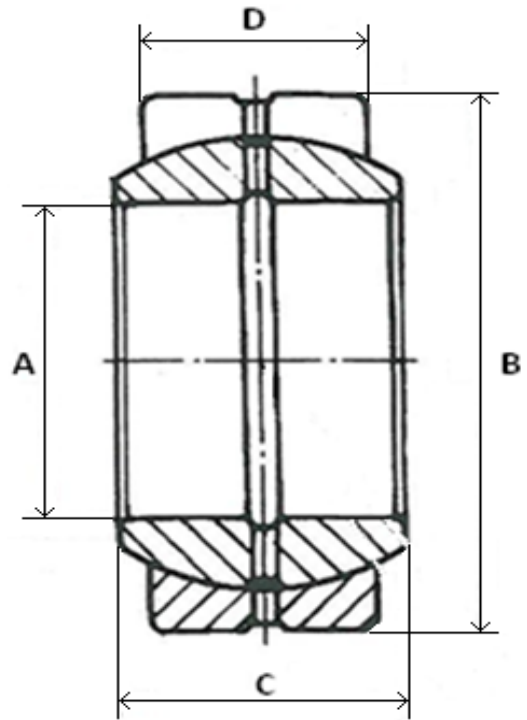
Part No.	Desc.	lbs.	Part No.	Desc.	lbs.
2S5925	Fitting (JD)	0.1	U11649	Washer (1 1/2" 10 GA)	0.1
2S5926	Fitting (JD)	0.3	495-81292	Washer (1 1/2" 14 GA)	0.1
D35287	Fitting (Case)	0.1	495-81226	Washer (1 3/4" 10 GA)	0.1
217-532	Plug (Case & JD)	0.2	30575	Washer (1 3/4" 14 GA)	0.1
			495-81282	Washer (2" 10 GA)	0.1
D25279	Snap Ring (1 1/2")	0.05	195-2155	Washer (2" 14 GA)	0.1
103-16175	Snap Ring (1 3/4")	0.05	24H1598	Washer	0.1
D26919	Snap Ring (2")	0.05	U11650	Washer	0.1
100-21237	Snap Ring	0.05	24H1595	Washer	0.1
39325	Snap Ring	0.05	95-81150	Washer	0.1
A55435	Snap Ring	0.05	195-2152	Washer	0.1
N1300-0244	Snap Ring	0.05	195-63	Washer	0.1
N1300-0281	Snap Ring	0.05	72990	Washer	0.1
N1300-0325	Snap Ring	0.05	D28610	Washer	0.1
N1300-0354	Snap Ring	0.05	11H221	Cotter Pin	0.1
R32220	Snap Ring	0.05	11H223	Cotter Pin	0.1
T38110	Snap Ring	0.05	11H227	Cotter Pin	0.1
T59457	Snap Ring	0.05	11H270	Cotter Pin	0.1
T59452	Snap Ring	0.05	211-1024	Ball 3/4"	0.1
T59445	Snap Ring	0.05	211-1028	Ball 7/8"	0.1
U16068	Snap Ring	0.05	211-1032	Ball 1"	0.1

### Metric Washers

Part No.	Description	ID x OD x Thickness	lbs.
40MX250	Washer	1.585 x 2.335 x .250	0.2
45MX250	Washer	1.782 x 2.532 x .250	0.2
50MX250	Washer	1.979 x 2.719 x .250	0.3
55MX375	Washer	2.175 x 3.175 x .375	0.4
60MX375	Washer	2.372 x 3.372 x .375	0.5
65MX375	Washer	2.569 x 3.569 x .375	0.5
70MX375	Washer	2.765 x 3.765 x .375	0.6
80MX375	Washer	3.160 x 4.160 x .375	0.6
90MX375	Washer	3.553 x 4.553 x .375	0.7
100MX375	Washer	3.947 x 5.197 x .375	0.7
55MX104	Washer	2.200 x 3.700 x .104	0.2
60MX104	Washer	2.400 x 3.900 x .104	0.2
65MX104	Washer	2.600 x 4.100 x .104	0.2
70MX104	Washer	2.800 x 4.300 x .104	0.2
80MX104	Washer	3.200 x 4.700 x .104	0.2
90MX104	Washer	3.600 x 5.100 x .104	0.3
100MX104	Washer	4.000 x 5.500 x .104	0.3

# SELF-ALIGNING BUSHINGS, PRE-CLEANER BOWLS, CHROME RODS, WELD-ON BOSSES

Self-Aligning Bushings							
Part No.	A (ID)	B (OD)	C	D			
AH155619	45	68	32	25			
AT128773	50	75	35	28			
AT128774	60	90	44	36			
AT142307	70	105	49	40			
AT157173	45	75	43	28			
AT157174	50	90	56	36			
AT157247	70	120	70	45			
B12L	.750	1.2500	.656	.562			
B16LSS	1.000	1.6250	.875	.750			
B20L	1.250	2.0000	1.093	.937			
B20LSS	1.250	2.0000	1.093	.937			
B22LSS	1.375	2.1875	1.187	1.031			
B24L	1.500	2.4375	1.312	1.125			
B24LSS	1.500	2.4375	1.312	1.125			
B28L	1.750	2.8125	1.531	1.312			
B28LSS	1.750	2.8125	1.531	1.312			
B32L	2.000	3.1875	1.750	1.500			
B32LSS	2.000	3.1875	1.750	1.500			
B36LSS	2.250	3.5625	1.969	1.687			
B40LSS	2.500	3.9375	2.187	1.875			
B44LSS	2.750	4.3750	2.406	2.062			
B48L	3.000	4.7500	2.625	2.250			
R37021	2.500	4.3750	2.545	2.062	8H2023	Small	7"
R37037	3.250	5.5000	3.265	2.625	1M7250	Medium	10 1/2"
R55698	2.750	4.7500	2.790	2.250	6H8021	Large	12"



## Normal Stock Chrome Rods

Standard Sizes		Metric Sizes	
1 1/4"	2 3/8"	40mm	63mm
1 1/2"	2 1/2"	45mm	65mm
1 3/4"	2 3/4"	50mm	70mm
1 7/8"	3"	55mm	80mm
2"	3 1/4"	56mm	85mm
2 1/8"	4"	60mm	90mm
2 1/4"			

Special machining & welding is available to meet your exact specs

Weld on Boss - w/ Hardened Bushing in Center			lbs.
PVB1	Bushing	2" x 4" x 1.600"	4
PVB2	Bushing	1 3/4" x 3" x 1"	1.3
PVB3	Bushing	1 3/4" x 3 1/4" x 1 1/2"	3
PVB4	Bushing	2" x 3 1/2" x 1 1/2"	2.1
PVB5	Bushing	2" x 3 1/2" x 2"	3.1
PVB6	Bushing	1 1/2" x 3" x 3/4"	1.2
PVB7	Bushing	1 1/4" x 2 1/2" x 3/4"	1.2
PVB8	Bushing	2 1/2" x 4 1/4" x 1 1/2"	3.4