

Dozer Blade Parts, Crawler Loader Parts, Suspension Parts

SECTION C

DOZER BLADE PARTS, CRAWLER LOADER PARTS, DOZER SUSPENSION PARTS

BLADE PARTS

CASE

450	C2, C3
550	C2, C3
650	C1
750	C1
850	C4, C5
1150	C6, C7

DRESSER

TD7, TD8	C14, C15
----------	----------

JOHN DEERE

350	C8
450	C9 - C13
550	C9 - C13
650	C10 - C13
G MODELS	C10, C11
H MODELS	C12, C13

C-FRAMES

CASE	C3
JOHN DEERE	C11, C13

CRAWLER LOADER PARTS

CASE	C1
JOHN DEERE	C16

SUSPENSION PARTS

CASE

BRACKETS	C18
EQUALIZER BEAMS	C18
EQUALIZER SHAFTS	C18
PINS & BUSHINGS	C18

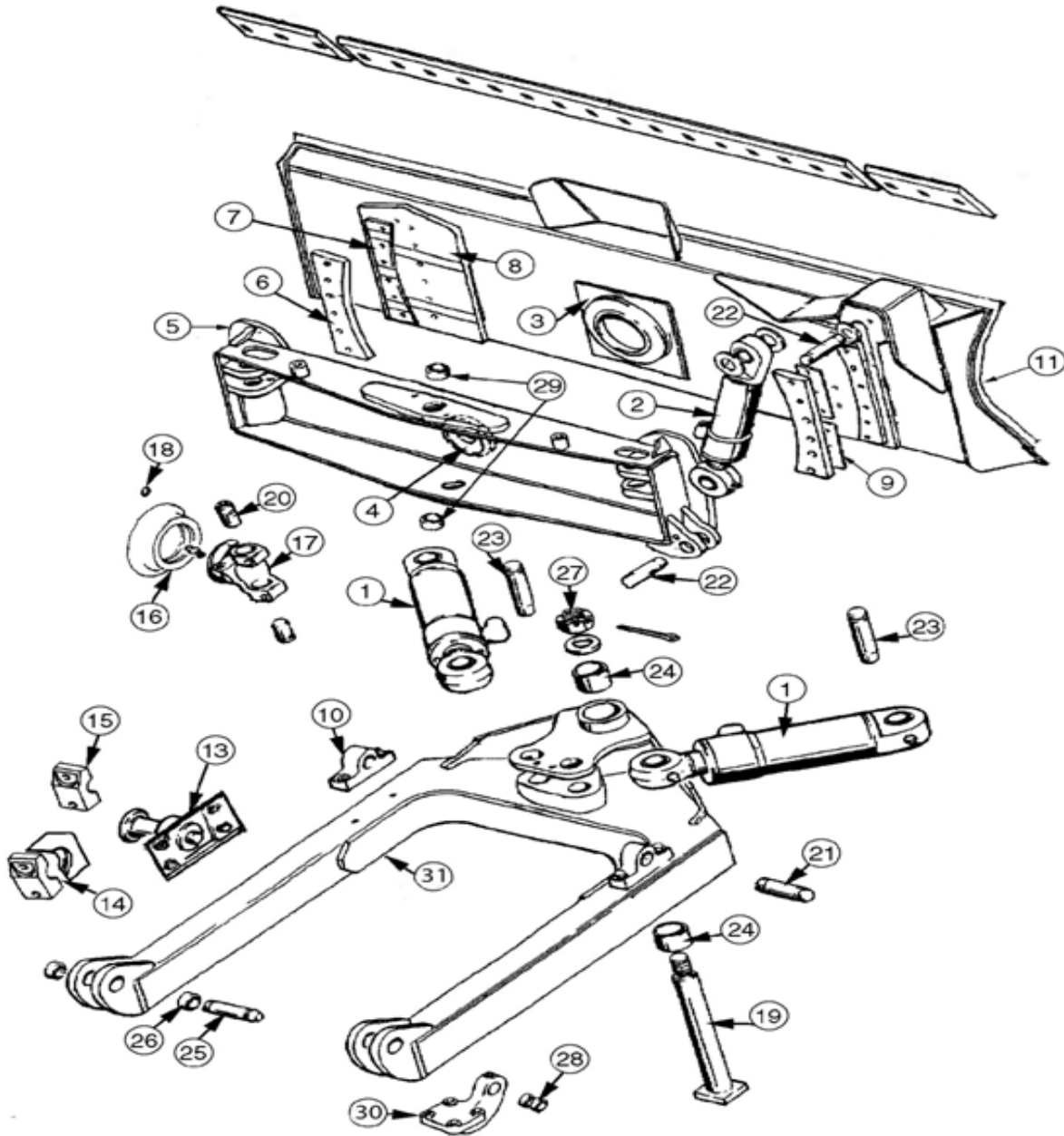
CAT

EQUALIZER BEAMS	C17
PINS & BUSHINGS	C17

DOZER BLADE PARTS

CASE 650, 750, 850

Part No.	Description	Notes	Qty.	Ibs.
Case 650G, 650H, 750H, 850G, 850H, Angle Cylinder				
190595A2	Angle Cylinder	Without bushings	2	63
355751A1	Tube		Not Sold Separate	
116965A2	Rod	Without bushing	2	21
355529A1	Gland		Not Sold Separate	
1986982C1	Piston		2	4
1543266C1	Seal Kit		2	1
613524C91	Bushing	2 used per cylinder, angle & tilt cylinder	6	1.4
103-21281	Snap Ring	4 used per cylinder, angle & tilt cylinder	12	0.1
Case 650G, 650H, 750H, 850G, 850H, Pins & Bushings for Blade Cylinders				
119097A1	Pin, angle cylinder tube end & lift cylinder tube end, 650G, 650H, 750H, 850H		4	3.4
119097A1	Pin angle cylinder tube end & lift cylinder both ends, 850G		6	3.4
119101A1	Pin, angle cylinder rod end, lift cylinder tube end, tilt cylinder tube end, 550H		5	3.8
119101A1	Pin angle cylinder rod end & tilt cylinder tube end		3	3.8
R53254	Pin	Rear C-Frame	2	11
D33635	Bushing	Rear C-Frame	4	0.4
95-81156	Shim		6	0.2
Case 650K, 750K, 850K Angle Cylinder				
412359A1	Angle Cylinder	Without bushings	2	63
430295A1	Tube		Not Sold Separate	
430296A1	Rod	Without bushing	2	21
355529A1	Gland		Not Sold Separate	
1986982C1	Piston		2	1
1543266C1	Seal Kit		2	1
613524C91	Bushing	2 used per cylinder, angle & tilt cylinder	6	1.4
103-21281	Snap Ring	4 used per cylinder, angle & tilt cylinder	12	0.1
Case 650K, 750K, 850K Pins for Blade Cylinders				
345410A1	Pin	lift cylinder rod end	2	3.1
446456A1	Pin	angle cylinder tube end, 750K 850K	2	3.1
435157A1	Pin	angle cylinder rod end, tilt cylinder both ends	4	3.8
405607A1	Pin	lift cylinder tube end	2	3.4
405608A1	Pin	Rear C-Frame	2	11
D33635	Bushing	Rear C-Frame	4	0.4
495-81283	Shim		6	0.2
Case 450, 450B, 455C Loader Pins & Bushings				
D34654	Pin	Top Bucket, 450, 450B	2	2
D34658	Pin	Top Bucket, 455C	2	2.7
D34655	Pin	Bottom Bucket	2	3.7
D33678	Bushing	Bottom Bucket	4	1
D30929	Bushing	Top Tilt Cylinder	2	0.4
D34354	Bushing	Linkage Tilt, 455C	2	0.2
D31142	Bushing	Lift Cylinder	2	0.8
Case 850B, 850C, 855C Loader Pins & Bushings				
R32151	Pin	Bucket	4	6.3
R48920	Pin	Bucket	2	6.3
R33048	Pin	Lift Cylinder	2	2.7
D33659	Bushing	Lift Cylinder In Frame	2	0.4
D37723	Bushing	Lift & Tilt Cylinder	6	0.3
D31142	Bushing	Linkage	2	0.8
D33023	Bushing	Main Frame	2	1



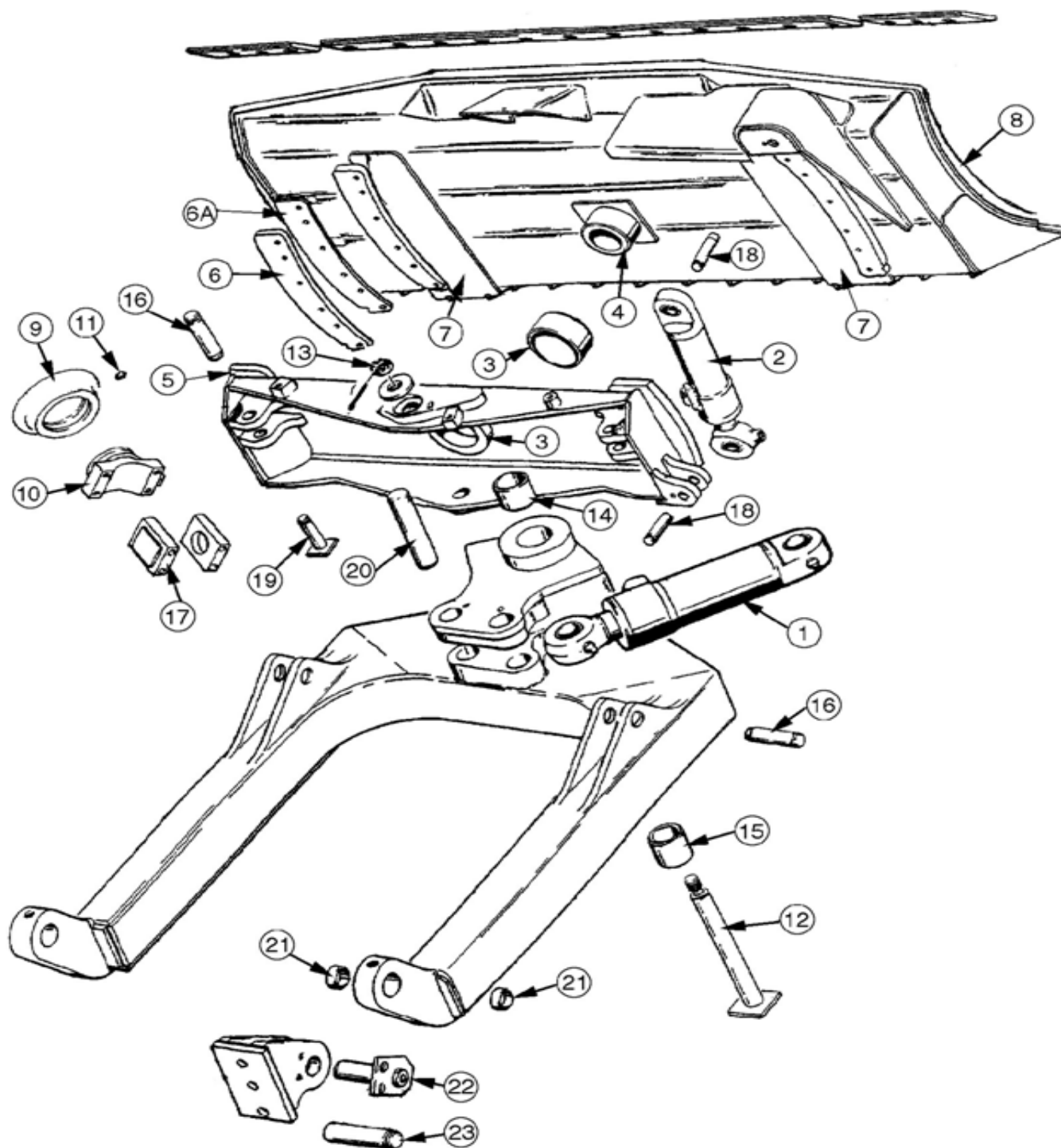
Ref.	Part No.	Description	Notes	Qty.	lbs.
Case 450, 450B, 450C, 550, 550E, 550G					
1	140146A1	Angle Cylinder		2	66
	140147A1	Tube, 4"		2	33
	1980295C1	Rod, 2"		2	18
	1543003C1	Gland		2	8
	G100438	Piston		2	4
	1543273C1	Seal Kit		2	1
	G34348	Lift Cylinder Rod, 1 1/4"	Clevis end	2	18

FOR CUTTING EDGES REFER TO SECTION L

DOZER BLADE PARTS

CASE 450, 550

Ref.	Part No.	Description	Notes	Qty.	lbs.
Case 450, 450B, 450C, 550					
2	G101228	Tilt Cylinder		1	58
	G34411	Tube, 3 1/2"		Not Sold Separate	
	G34409	Rod, 2"		Not Sold Separate	
	1543021C1	Gland		1	5
	G100694	Piston		1	4
	1543274C1	Seal Kit		1	1
Case 550E, 550G					
2	1542717C1	Tilt Cylinder		1	39
	1542718C1	Tube		Not Sold Separate	
	1542720C1	Rod		Not Sold Separate	
	1346417C1	Gland		Not Sold Separate	
	G108518	Piston		1	2
	1543256C1	Seal Kit		1	1
Case 450, 450B, 450C, 550, 550E Blade Wear Parts					
3	D34855	Swivel Ring		1	10
4	D34869	Swivel Plate		1	6
5	R58793	Rub Plate		2	20
6	127980A1	Slide Plate		2	11
	61-46224	Socket Head Bolt		4	1
7	R58808	Threaded Anchor		2	6
8	D47766	Backer Plate		2	23
9	D47911	Shim		AR	1
10	D46466	Bracket	Lift Cylinder	2	4.1
11	PV500	86" Blade Face		1	145
11	PV505	96" Blade Face		1	162
13	D34793	Trunion		2	14
	R27967	Spacer	1" thick	2	8
14	R32490	Cap Assembly		2	8.8
15	R32466	Cap Only		2	3.3
16	D31317	Race	For Lift Cylinder Trunion	2	8
17	R47082	Lift Cylinder Trunion		2	12
18	211-1024	Ball		38	1
Case 450, 450B, 450C, 550, 550E, 550G Blade Pins & Bushing Etc.					
19	D34789	Pin	Main Center	1	15.2
20	D24508	Pin	Lift Cylinder On Nose Piece	4	0.6
	30634	Bushing	Lift Cylinder On Nose Piece	4	0.1
21	D46467	Pin	Lift Cylinder (Dozer Models)	2	1.3
22	D34796	Pin	Tilt Cylinder	2	2
23	D34795	Pin	Angle Cylinder	4	2.5
23	D34795	Pin	Angle Cylinder to C-frame (550E, 550G)	2	2.5
23	D44881	Pin	Angle Cyl. to leveling beam (550E, 550G)	2	2.7
	D32865	Bushing	Tilt & Angle Cylinders	12	0.2
24	D33023	Bushing	Center U Frame	2	1
29	D31142	Bushing	Cross Frame	2	0.8
25	R50774	Pin	Rear C-Frame	2	2.1
26	D32919	Bushing	Blade Mount	4	0.2
27	25-1224	Slotted Nut	Center Pin	1	0.8
28	D30930	Bushing	Included in Mounting Brackets	4	0.2
30	R47535	Bracket	450C	2	25
30	R55861	Bracket	450C LT, 550, 550E 550G	2	33
31	241962A1	C-Frame	450B, 450C, 550, 550E, 550G	1	481

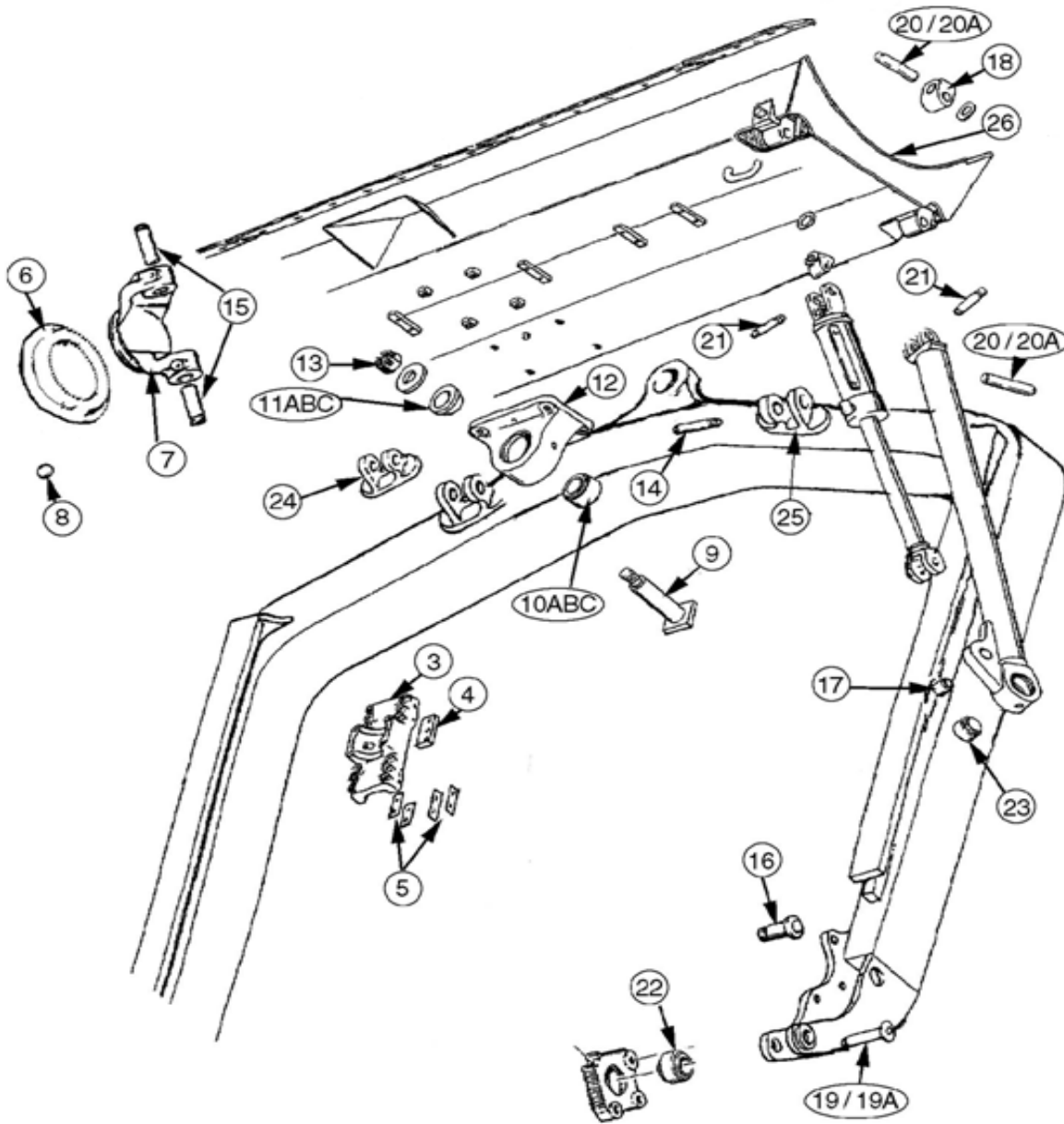


FOR CUTTING EDGES REFER TO SECTION L

DOZER BLADE PARTS

CASE 850

Ref. Part No.	Description	Notes	Qty.	lbs.
Case 850B, 850C, 850D, 850E				
1	1542644C1	Angle Cylinder	2	85
	G103488	Tube 4 1/2"	Not Sold Separate	
	G35487	Rod 2 "	2	23
	1543031C1	Gland	2	10
	G33634	Piston	2	4
	D47210	Piston	2	1.6
	D46931	Piston	2	5
	1543270C1	Seal Kit	2	1
	G35470	Rod	2	22
	1542962C1	Gland	2	5
	G100442	Piston	2	3
	1543252C1	Seal Kit	2	1
2	G109485	Tilt Cylinder	1	65
	G109486	Tube 4"	Not Sold Separate	
	G109488	Rod 2 "	Not Sold Separate	
	1543003C1	Gland	1	8
	G100438	Piston	1	4
	1543273C1	Seal Kit	1	1
Case 850B, 850C, 850D, 850E Blade Wear Parts				
3	100195A1	Swivel Ring	1	20
4	R44319	Swivel Ring	1	16
5	100196A1	Rub Plate	2	25
6	128865A1	Wear Plate	2	25
6A	R31647	Shim	4	2
7	100256A1	Rub Plate L/H	2	18
7	100255A1	Rub Plate R/H	2	18
8	PV502	100" Blade Face	1	234
9	R48191	Race	2	20
		For Lift Cylinder Trunion		
10	R49038	Lift Cylinder Trunion	2	9
11	211-1024	Ball	38	1
Case 850B, 850C, 850D, 850E Blade Pins & Bushings Etc.				
12	R31968	Pin	1	28
13	25-1224	Slotted Nut	1	0.8
14	R31914	Bushing	1	1.4
15	R27011	Bushing	1	1
16	D51045	Pin	2	2.1
	D32919	Bushing	4	0.2
17	R48604	Plate	4	2
18	D34796	Pin	2	2
18	R50191	Pin	2	2
	D29325	Bushing	4	0.4
	D32865	Bushing	4	0.2
19	R31965	Pin	2	4.2
19	R56417	Pin	2	3.9
20	R31966	Pin	2	5
	D34340	Bushing	8	0.3
21	D33678	Bushing	4	1
22	R39700	Pin	2	6.8
23	R45977	Pin	2	4.7
	D40091	Bushing	2	0.8
	D33024	Bushing	2	0.5



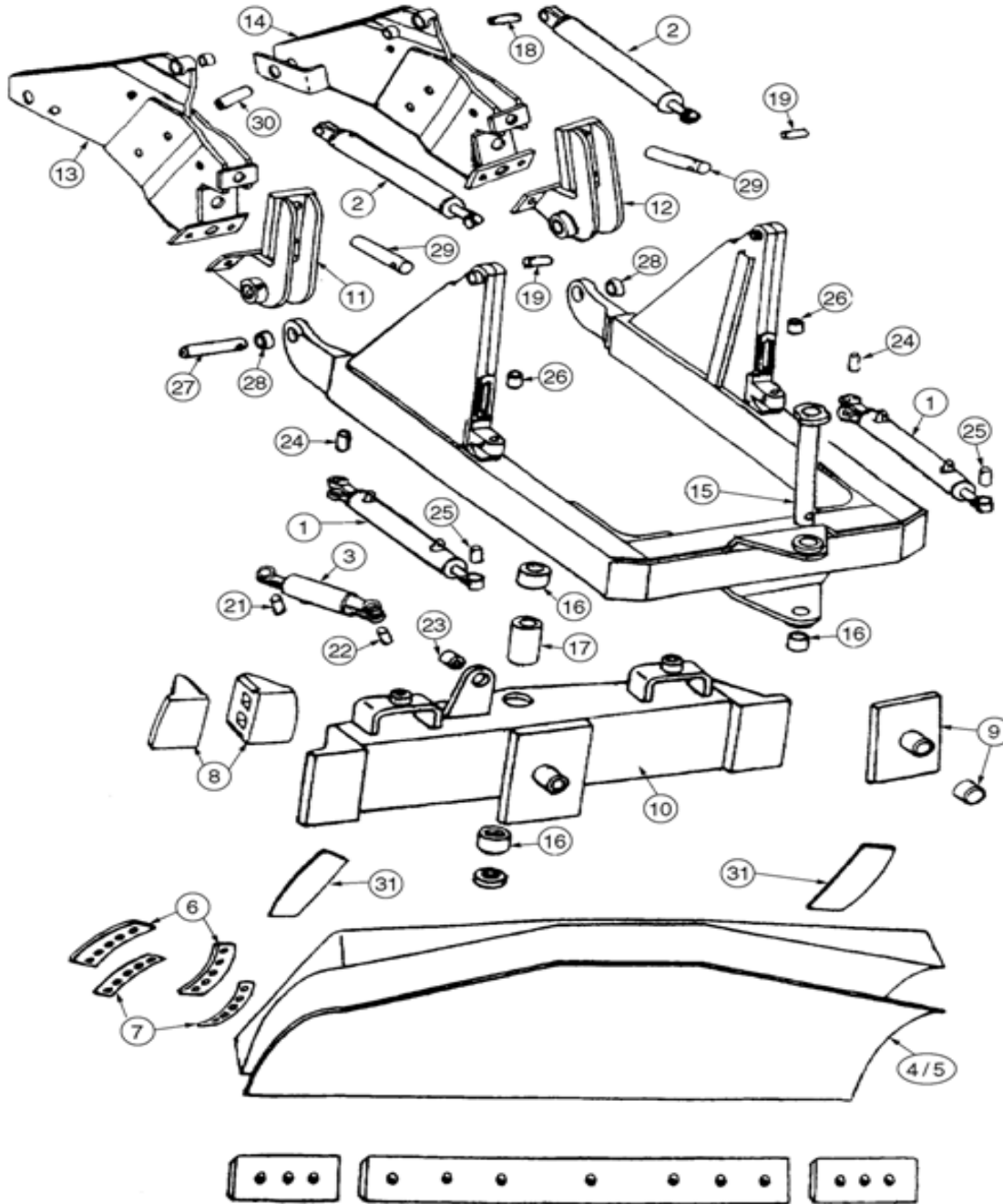
Part No.	Description	Notes	Qty.	lbs.
Case 1150B, 1150C, 1150D, 1150E Lift Cylinder Parts (Outside mount 8 way blade)				
G34078	Rod		2	24
1542972C1	Gland	1150E	2	5
G100642	Piston	1150E	2	3
1543265C1	Seal Kit	1150E	2	1
1542991C1	Gland	1150B, 1150C, 1150D	2	6
G100698	Piston	1150B, 1150C, 1150D	2	3
1543261C1	Seal Kit	1150B, 1150C, 1150D	2	1

FOR CUTTING EDGES REFER TO SECTION L

DOZER BLADE PARTS

CASE 1150

Ref.	Part No.	Description	Notes	Qty.	lbs.
Case 1150B, 1150C, 1150D, 1150E Blade Wear Parts					
3	R57241	Slide Bracket		2	32
4	R30999	Threaded Wear Plate		8	2
5	R30874	Strip		16	1
6	R54811	Race	Lift Cylinder Trunion	2	16
7	R54810	Lift Cylinder Trunion		2	25
8	211-1024	Ball		50	1
Case 1150B, 1150C, 1150D, 1150E, 1150G, Blade Pins & Bushings Etc.					
9	R26672	Pin	Center, 1150B, 1150C (2 1/2" OD)	1	14.5
9	R45099	Pin	Center, 1150D, 1150E, 1150G (2 3/4" OD)	1	17.9
10	R26680	Bushing	Center, 1150B (3 15/16" OD)	1	4
	A55435	Snap Ring		1	1
10A	R37021	Bushing	Center, 1150B, 1150C (4 3/8" OD)	1	6
10B	R41800	Bushing	Center, 1150D, 1150E, 1150G (4 3/8" OD)	1	5
	R32220	Snap Ring		1	1
11	R37022	Spacer	Use with R37021	2	2
11A	R45224	Spacer 41M	Use with R41800	2	4
11B	R55700	Spacer 36M	Use with R55698	2	3
12	R58345	Blade Mount Bracket	1150D, 1150E, 1150G	1	76
10C	R55698	Bushing	Blade Center, 1150D, 1150E, 1150G (4 3/4" OD)	1	9
	39325	Snap Ring		1	1
13	25-1224	Nut		1	0.8
14	D32930	Pin	Lift Cylinder on Frame	2	2.5
15	D36176	Pin	Lift Cylinder On Cowl	4	1.2
	D31140	Bushing	Lift Cylinder	4	0.3
16	D52386	Pin	Tilt Cylinder	2	2
17	D30929	Bushing	Tilt Cylinder	2	0.4
18	70315	Tilt Block		4	6
19	D51014	Pin	Angle Cylinder 1150B, 1150C	2	2
19A	R45056	Pin	Angle Cylinder 1150D, 1150E	2	2.2
20	D95312	Pin	Front Block 1150B, 1150C	4	1.8
20A	R45247	Pin	Front Block 1150D, 1150E	4	2.1
21	D32933	Pin	Rear Block	4	1.7
22	15-40	Bushing		2	3
23	D23601	Bushing		2	2
26	PV517	Blade Face	10' Blade, 2 Pcs.	1	305
Case 1150, 1150B, 1150C, 1155D, 1155E Loader Pins					
	R27061	Pin	Bucket	4	7.2
Case 1450B, 1550 Blade Mount					
12	R37198	Blade Mount Bracket		1	77
10	R37037	Bushing		1	8
	T38110	Snap Ring		1	1
9	R56816	Pin	Center 1550	1	26
9	R53289	Pin	Center 1450, 1450B	1	26



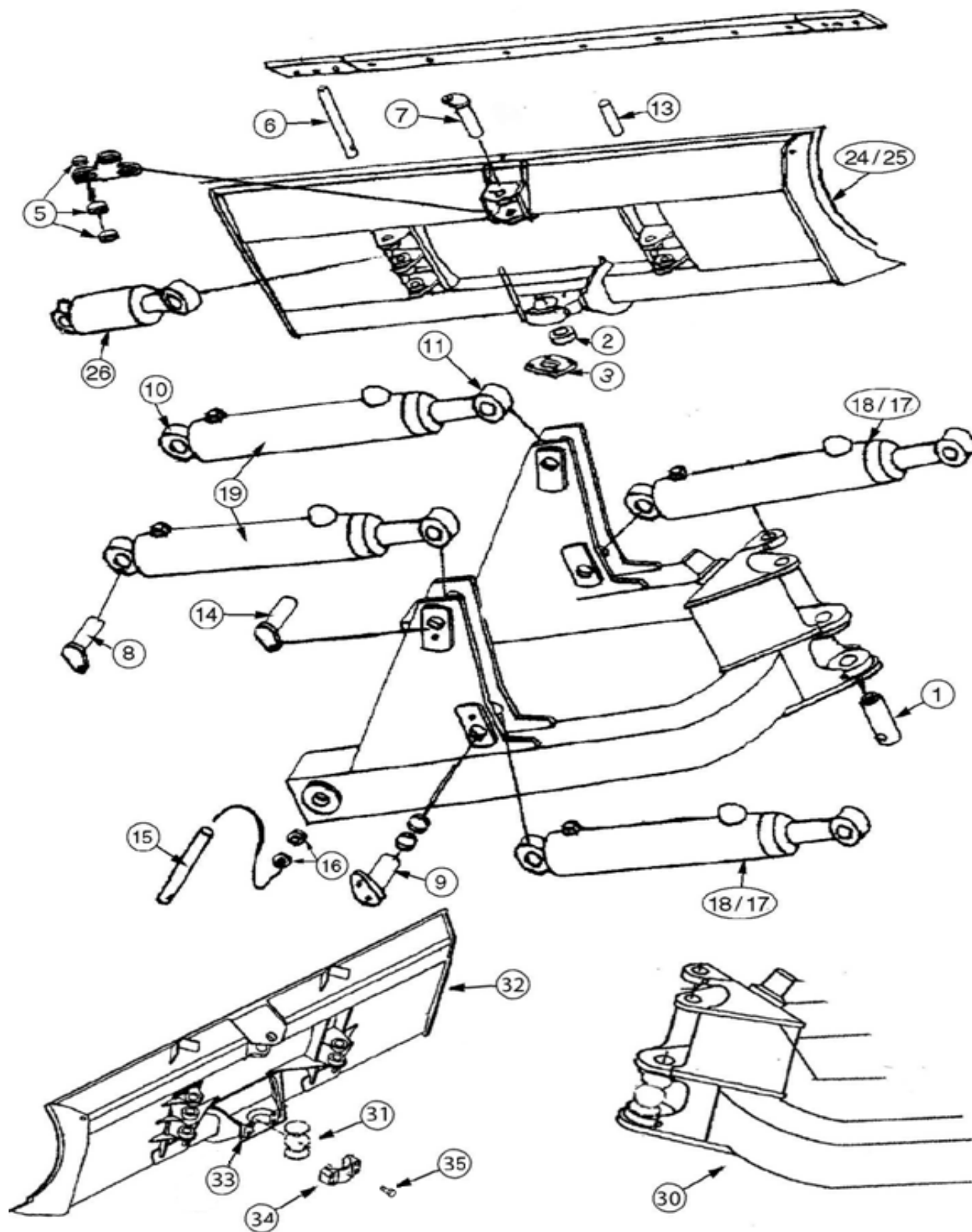
Ref.	Part No.	Description	Notes	Qty.	lbs.
John Deere 350, 350B, 350C					
3	AU13835	Tilt Cylinder	Will replace AT44162	1	22
	AU13832	Tube		Not Sold Separate	
	AU13829	Rod		Not Sold Separate	
	U42638	Gland		Not Sold Separate	
	U17339	Piston		Not Sold Separate	
	U17340	Piston		Not Sold Separate	
	AR105453	Seal Kit		1	1

FOR CUTTING EDGES REFER TO SECTION L

DOZER BLADE PARTS

JOHN DEERE 450, 550

Ref.	Part No.	Description	Notes	Qty.	lbs.
John Deere 450, 450B, 450C, 450D, 450E, 550, 550B (6405 Blade)					
1	AU13861	Angle Cylinder		2	60
	AU13860	Tube, 3 1/2"		2	38
	AU13858	Rod, 1 1/2"		2	13
	U17349	Piston		2	3
	U17345	Piston		2	3
	T106947	Hose Shield		2	9
	T37239	Clamp		2	0.8
2	AT40473	Lift Cylinder		2	64
	AT40474	Tube, 3 1/2"		Not Sold Separate	
	AU13849	Rod, 1 1/2"		2	17
	U17349	Piston		2	3
	U17345	Piston		2	3
3	AU13847	Tilt Cylinder		1	40
	AU13846	Tube, 3 1/2"		Not Sold Separate	
	AU13844	Rod, 1 1/2"		1	8
	U17349	Piston		1	3
	U17345	Piston		1	3
	U42078	Gland	Use in Angle, Lift & Tilt cylinders	5	4
	AR105432	Seal Kit	Use in Angle, Lift & Tilt cylinders	5	1
John Deere 450, 450B, 450C, 450D, 450E, 550, 550B Blade Wear Parts					
4	T80343	90" Blade Face		1	186
5	T80358	96" Blade Face		1	209
6	T105543	Slide Plate		2	12
7	T34408	Shim		AR	0.5
8	AT76362	Slide Blocks	Set of 2	1	50
9	AU13937	Pin Pivot Kit		1	24
10	BU10737	Main Cross Frame		1	300
11	AU14504	Pivot R/H		1	38.8
12	AU13968	Pivot L/H		1	38.7
13	BU10740	Blade Mount R/H		1	150
14	BU10741	Blade Mount L/H		1	150
15	AT48589	Pin	Main Center	1	13
16	U16878	Bushing	Main Center	4	1.3
17	28H2161	Spacer	Cross Frame to U Frame	1	2
18	U12660	Pin	Lift Cylinder Rear	2	1.3
19	U16925	Pin	Lift Cylinder Front	2	1.6
	U15925	Bushing	Lift Cylinder rod end & Tilt Cylinder rod end	6	1
21	T105536	Pin	Tilt Cylinder rod end	1	1.4
22	U17292	Pin	Tilt Cylinder tube end	1	1
23	U11013	Bushing	Tilt Cylinder on main frame	1	1
24	U16915	Pin	Angle Cylinder Rear	2	1.6
25	U16916	Pin	Angle Cylinder Front	2	2.1
	U13064	Bushing	Angle Cylinder Front, 1 will replace 2 OEM bushings	2	1
26	U16935	Bushing	Angle Cylinder Rear	2	1
27	U16920	Pin	C-Frame Rear	2	4.6
28	U16875	Bushing	C-Frame Rear	2	1
29	U41528	Pin	Cross member	2	5.4
30	T47054	Pin	Mounting Frame Rear	2	1.3
31	T105544	Wear Plate		2	4

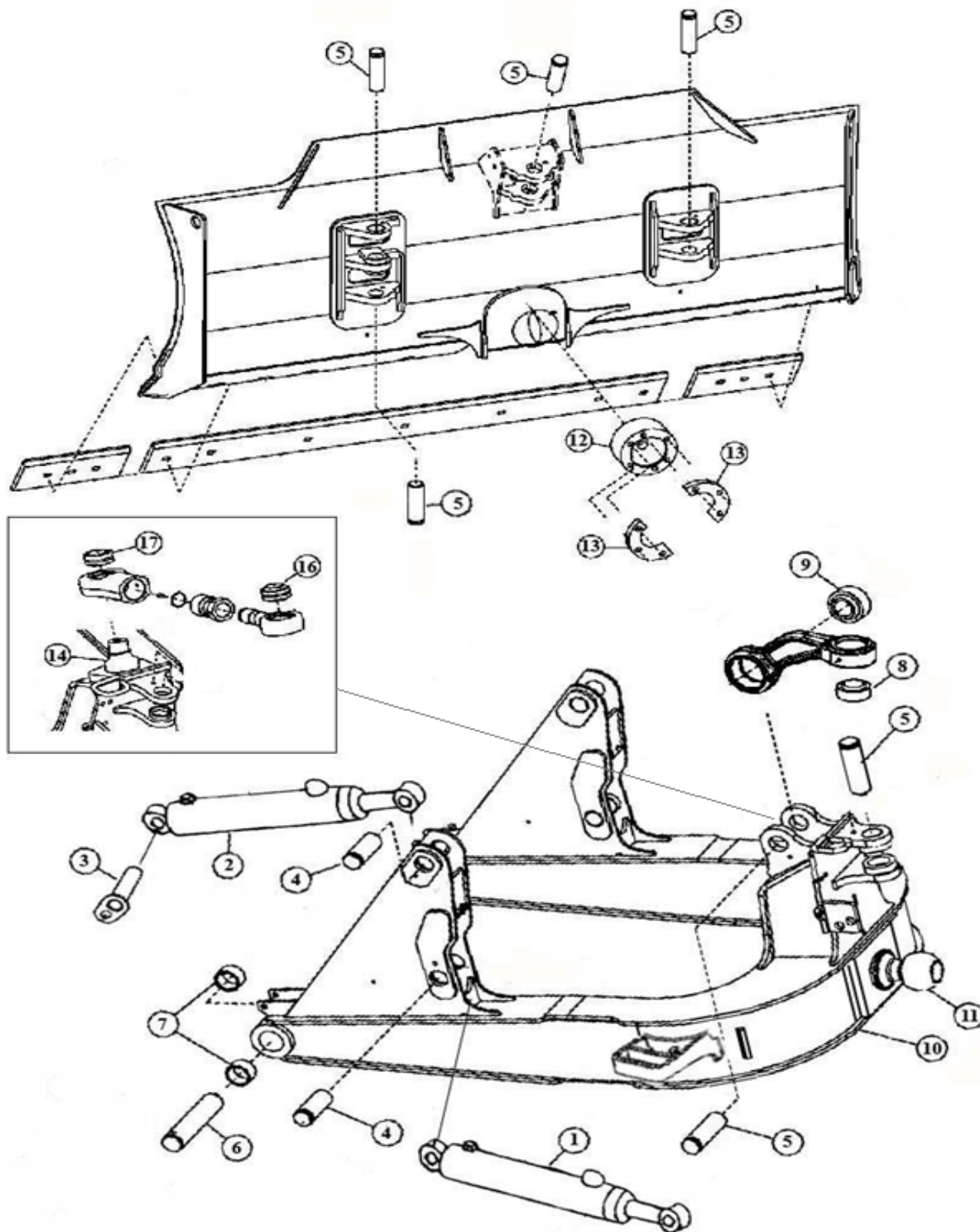


FOR CUTTING EDGES REFER TO SECTION L

DOZER BLADE PARTS

JOHN DEERE 450G, 550G, 650G

Ref.	Part No.	Description	Notes	Qty.	lbs.
John Deere 450G, 450G Long Track					
18	AH161764	Angle Cylinder	Without bushings	2	56
	AH162311	Tube, 70mm		2	30
	RE35224	Rod, 40mm	With bolt 1 x 2 1/2 NF	2	20
	H157171	Gland	With nut	2	3
	AH158623	Piston		2	3
	AH212090	Seal Kit, Bore		2	1
	AH149194	Seal Kit, Rod		2	1
	AT157173	Bushing	Sold Separate	4	2
John Deere 450G Wide Track, 550G, 650G					
17	AH161770	Angle Cylinder	Without bushings	2	58
	AH137778	Tube, 80mm		2	30
	RE33758	Rod, 45mm	With bolt 1 1/8 x 2 1/2 NF	2	22
	H157510	Gland	With nut	2	3
	R86084	Piston		2	3
	AH149842	Seal Kit, Bore		2	1
	RE20434	Seal Kit, Rod		2	1
	AT157173	Bushing	Sold Separate	4	2
John Deere 450G, 550G, 650G					
19	AH161762	Lift Cylinder	With bushings	2	56
	RE28859	Tube, 80mm		2	30
	AH143027	Rod, 40mm	With bolt 1 1/8 x 2 1/2 NF	2	20
	H157174	Gland	With nut	2	3
	R87313	Piston		2	3
	AH149842	Seal Kit, Bore		2	1
	AH149194	Seal Kit, Rod		2	1
John Deere 650G					
26	AH161766	Tilt Cylinder	Without bushings	1	49.4
	AT157173	Bushing	Sold Separate	2	2
JD 450G, 550G, 650G Blade Pins & Bushings					
1	T122600	Pin	Center, old style	1	15.1
2	AT157247	Bushing	Center, old style	1	7
3	T124132	Retainer Plate	For, AT157247 bushing	2	3
	T112826	Spacer	For, AT157247 bushing	2	1
5	AT157174	Bushing	Blade Link	3	4
6	T104739	Pin	Angle & Tilt Cylinder	1	8.1
7	AT120388	Pin	Pitch	1	7
8	AT85792	Pin	Lift Cylinder, rear	4	3.5
9	AT142432	Pin	Angle Cylinder, rear	4	3.4
10	R89683	Bushing	Lift Cylinder, rear	2	1
11	R89940	Bushing	Lift Cylinder, front	2	1
13	T104741	Pin	Angle Cylinder, front	1	4.4
14	AT113692	Pin	Lift Cylinder, front	2	3.4
15	T122576	Pin	C-Frame, rear	2	8.4
16	T122720	Bushing	C-Frame, rear	4	1
16	T68818	Seal	C-Frame, rear	4	0.5
24	PV507	Blade Face, 104"	2 Pc.	1	230
25	PV508	Blade Face, 120"	2 Pc.	1	275
John Deere 450G LGP & wide track, 550G, 650G C-frame & Parts					
30	AT184571	C-Frame	450G LGP & wide track, 550G 650G	1	750
31	T147801	Ball	450G, 550G, 650G, 450H Heavy Duty C-frame, 550H, 650H	1	22
33	T180534	Socket		1	39
34	T180535	Cap		1	19
35	19M7963	Bolt		4	0.65



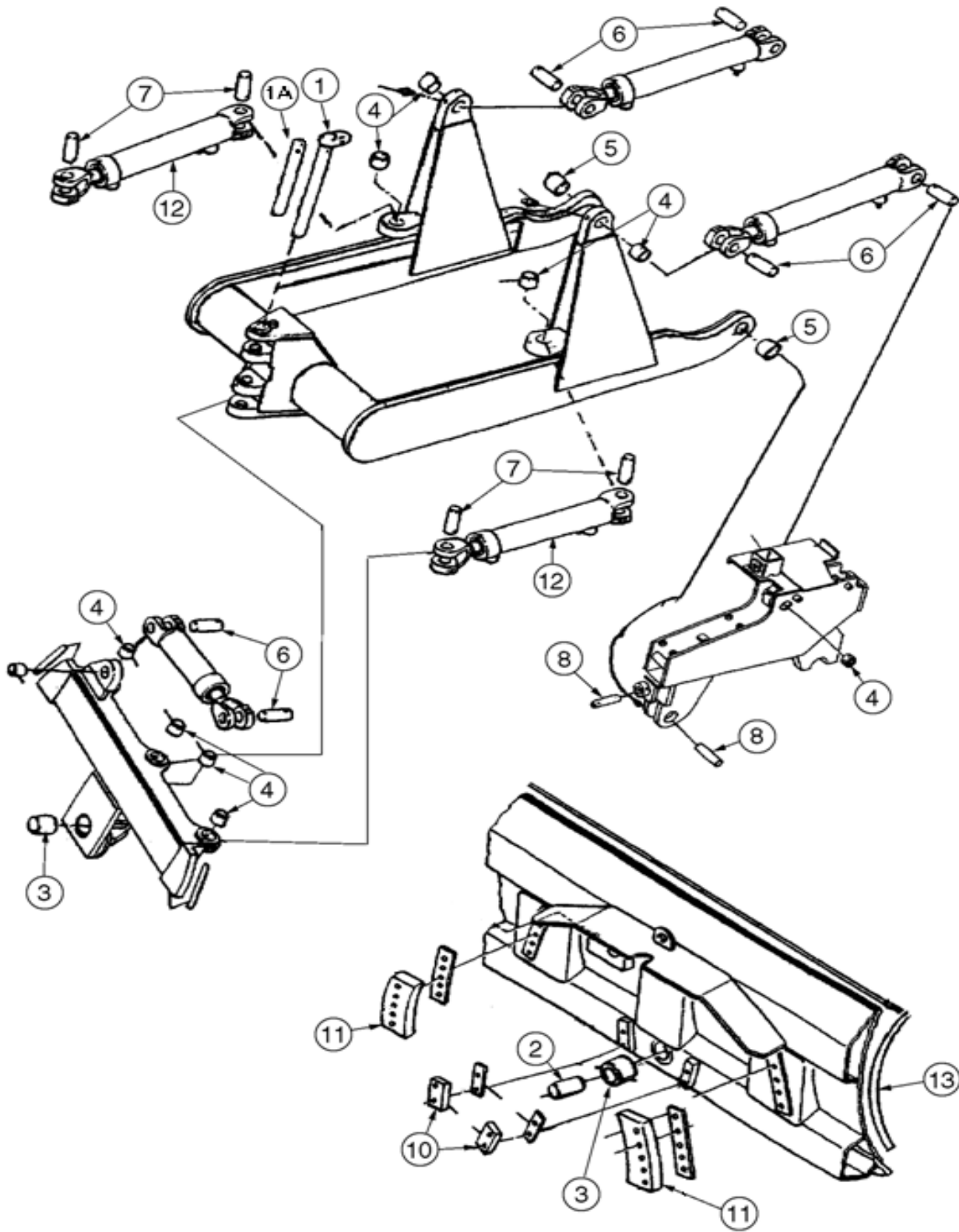
FOR CUTTING EDGES REFER TO SECTION L

DOZER BLADE PARTS

JOHN DEERE 450H, 550H, 650H

Ref.	Part No.	Description	Notes	Qty.	lbs.
John Deere 450H, 450J					
1	AH216716	Angle Cylinder	Without bushings	2	41
	AH155619	Bushing	Tube end, sold separate	1	1
	AT157173	Bushing	Rod end, sold separate	1	2
Seal kit not available					
John Deere 550H, 550J, 650H, 650J					
1	AH165689	Angle Cylinder	Without bushings	2	51
	AH155619	Bushing	Tube end, sold separate	1	1
	AT157173	Bushing	Rod end, sold separate	1	2
	AH212090	Seal Kit, Bore		1	0.1
	AH149813	Seal Kit, Rod		1	0.1
John Deere 450H					
2	AH150349	Lift Cylinder	With bushings	2	54
	R89683	Bushing	Tube end	1	1
	R84376	Bushing	Rod end	1	1
	AH149842	Seal Kit, Bore		1	0.1
	AH149194	Seal Kit, Rod		1	0.1
John Deere 450J, 550H, 550J, 650H, 650J					
2	AH163865	Lift Cylinder	With bushings	2	54
	R89683	Bushing	Tube end	1	1
	R84376	Bushing	Rod end	1	1
	AH149842	Seal Kit, Bore		1	0.1
	AH149194	Seal Kit, Rod		1	0.1
John Deere 450H, 450J, 550H, 550J, 650H, 650J, Blade Pins & Bushings					
3	AT211297	Pin	Lift cylinder tube end	2	3.8
4	T170891	Pin	Lift cylinder rod end, Angle cylinder tube end	4	3.2
5	T170879	Pin	Angle cyl rod end, Tilt cyl both ends, Pitch jack both ends	6	4
6	T122628	Pin	Rear C-Frame	2	8.4
7	T122720	Bushing	Rear C-Frame	4	0.4
8	AT157173	Self Aligning Bushing	Pitch jack to blade	1	2
9	AT209365	Self Aligning Bushing	Pitch jack to C-Frame	1	
John Deere 450H, 450J, 550H, 550J, 650H, 650J, C-frame & Parts					
10	AT302874	C-Frame	Heavy Duty , with step	1	870
11	T196072	Ball		1	15.5
12	T181021	Socket		1	30
13	T196073	Cap		2	3.4
14	AT310824	Pivot	Convenience assembly	1	14
16	AT157173	Self Aligning Bushing	Pitch jack to blade	1	2
17	AT128773	Self Aligning Bushing	Pitch jack to C-Frame	1	1.4

To use our C-Frame on machines with adjustable pitch link, item #14 must be welded to C-frame.
This can be done prior to shipping at an additional fee.



FOR CUTTING EDGES REFER TO SECTION L

DOZER BLADE PARTS

DRESSER TD7, TD8

Ref.	Part No.	Description	Notes	Qty.	lbs.
TD7C, TD7E Blade Pins & Bushings					
1	1209087H1	Pin	Main Blade	1	9.3
		Use (1) 1209087H1 to Replace (2) 620562C1			
2	620528C2	Pin	Main Center	1	8
3	705746C1	Bushing	Blade Center	2	1
4	618988C1	Bushing	Blade	12	1
5	620564C1	Bushing	C-Frame	2	1
6/7	620621C1	Pin	Cylinder Mount	10	3
8	620873C2	Pin	Blade Mount	4	5
10	646670C1	Retainer	Lower	2	3
11	705740C1	Retainer	Upper	2	8
TD7G Blade Pins & Bushings					
1	1209087H1	Pin	Main Blade	1	9.3
2	620528C2	Pin	Blade Center	1	8
3	705746C1	Bushing	Blade Center	2	1
4	618988C1	Bushing	Blade	12	1
5	620564C1	Bushing	C-Frame	2	1
6	620621C1	Pin	Lift & Tilt Cylinder	6	3
8	620873C2	Pin	Trunion & C-Frame	4	5
10	646670C1	Retainer	Lower	2	3
11	705740C1	Retainer	Upper	2	8
TD8C, TD8E Blade Parts & Pins & Bushings					
1A	620664C1	Pin	Main Blade	2	4.8
2	620693C2	Pin	Blade Center	1	9
3	705734C1	Bushing	Blade Center	2	1
4	618962C1	Bushing	Blade	12	1
5	620665C1	Bushing	C-Frame	2	1
6/7	645351C1	Pin	Cylinder Mount	10	2.7
8	620873C2	Pin	Trunion & C-Frame	4	5
10	646670C1	Retainer	Lower	2	3
11	705760C1	Retainer	Upper	2	8
12	620630C92	Angle Cylinder		2	71
TD8G Blade Pins & Bushings					
1	1209088H1	Pin	Main Blade	1	13
2	620693C2	Pin	Blade Center	1	9
3	705734C1	Bushing	Blade Center	2	1
4	618962C1	Bushing	Blade	12	1
5	620665C1	Bushing	C-Frame	2	1
6	645351C1	Pin	Lift & Tilt Cylinder	6	2.7
7	734761C1	Pin	Angle Cylinder	4	2.7
8	620873C2	Pin	Trunion & C-Frame	4	5
10	646670C1	Retainer	Lower	2	3
11	705760C1	Retainer	Upper	2	8
12	620630C92	Angle Cylinder		2	71
13	PV511	Blade Face, 84"	TD7, TD7C, TD7E, TD7G	1	182
13	PV512	Blade Face, 96"	TD8, TD8C, TD8E, TD8G	1	197

John Deere 450, 450B, 450C, 455D, 455E, 555, 555B, Loader Linkage Pieces				
AT31947	Link R/H		1	46
AT31948	Link L/H		1	46
T32679	Link		2	20
T32682	Link	To Bucket	2	35

John Deere 450, 450B, 450C, 455D, 455E, 555, 555B, Loader Pins				
AT31949	Pin	Loader Lift Cylinder To Frame	2	5.2
AT86423	Pin	Bucket Upper	2	4.7
T32601	Pin	Bucket Upper	2	4.7
AU14012	Pin	Bucket Lower	2	4.7
T32677	Pin	Loader Linkage	2	5
U17175	Pin	Boom Cylinder To Boom	2	3.6
U17266	Pin	Frame to Rear Axle	2	5.4

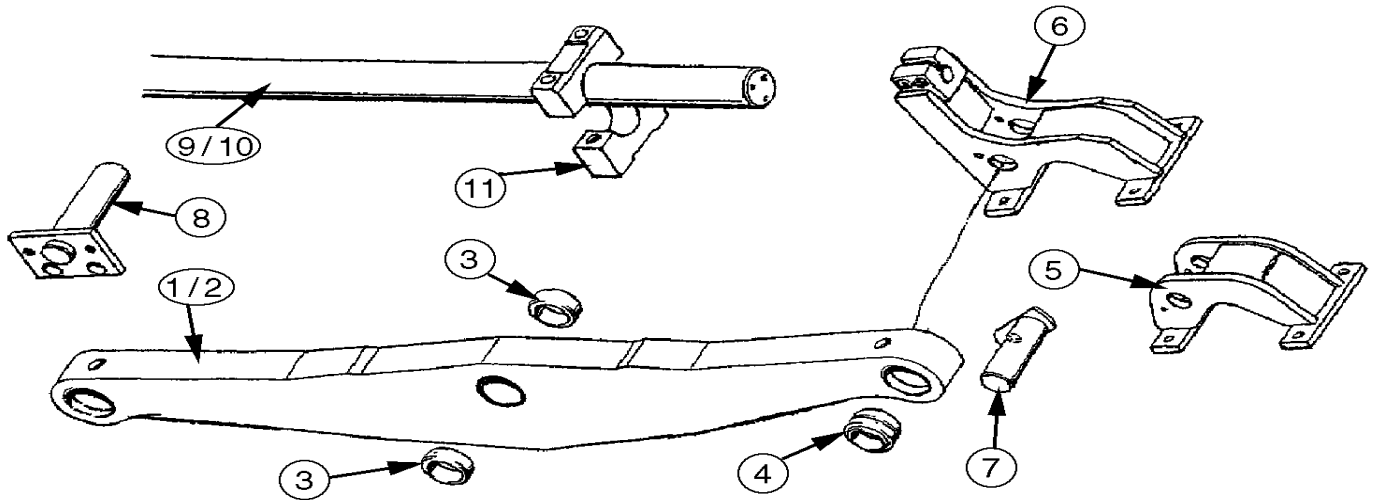
SUSPENSION PARTS**CAT**

Part No.	Description	Notes	Qty.	lbs.
D4H XL, D4H LGP				
8E8955	Equalizer Beam	With center bushing, not for LGP machines	1	230
7P7858	Bushing	Center	1	1
8G3733	Pin	End	2	7.2
6Y6886	Pin	Center	1	6.1
9M1328	Bushing	End	2	1.8
1K6985	Snap Ring		4	0.1

Cat D5H XL, D5H LGP				
8E8789	Equalizer Beam	With center bushing, not for LGP machines	1	310
7P6596	Bushing	Center	2	1
8G4187	Pin	End	2	11.7
6Y8248	Pin	Center	1	12
8G4189	Bushing	End	2	
1J6472	Snap Ring		4	0.1

Cat D5M XL, D5M LGP, D5N XL, D5N LGP				
8E8955	Equalizer Beam	With center bushing, not for LGP machines	1	230
7P7858	Bushing	Center	1	1
109-0380	Pin	End	2	7.2
109-0379	Pin	Center	1	6.1
9M1328	Bushing	End	2	1.8
1K6985	Snap Ring		4	0.1

Cat D6M XL, D6M LGP, D6N XL, D6N LGP				
8E8789	Equalizer Beam	With center bushing, not for LGP machines	1	310
7P6596	Bushing	Center	2	1
109-0377	Pin	End	2	11.7
109-0367	Pin	Center	1	12
8G4189	Bushing	End	2	
1J6472	Snap Ring		4	0.1



Ref.	Part No.	Description	Notes	Qty.	lbs.
Case 1150C, 1150D, 1150E, 1150G, 1150H					
1	R55857	Equalizer Beam	With center bushings, 62" Guage models	1	330
2	R55859	Equalizer Beam	W/Center bushings, LGP & WT, 72" Guage models	1	400
3	D46403	Bushing	Center bushing	2	0.7
4	R55649	Bushing	End bushings	2	1
5	R36522	Bracket	Equalizer Beam, 1150C	2	38
6	R45454	Bracket	Equalizer Beam, 1150D, 1150E, 1150G	2	60
7	R47945	Pin	End Pin, 1150D, 1150E, 1150G, 1150H	2	5.8
8	R40497	Pin	Center Pin	1	14.2
9	R26860	Equalizer Shaft		1	230
10	R31363	Equalizer Shaft	LGP & WT	1	270
11	R49332	Clamp	Equalizer shaft	4	5