



Track Adjusters, Springs, Track Frames & Wear Parts

PVE
PAINT VALLEY EQUIPMENT
EQUIPMENT PARTS - DESIGNED WITH INTEGRITY, ENGINEERED TO LAST

SECTION A

TRACK ADJUSTERS, SPRING ASSEMBLIES, TRACK FRAMES, WEAR PARTS

EXCAVATOR CHAIN GUIDES & STEPS	A21
-------------------------------------------	-----

IDLER BRACKETS

CASE	A3
------	----

IDLER GUIDE/WEAR PLATES

CASE	A1, A3, A5, A7
DRESSER	A15, A16
JOHN DEERE	A9, A11, A13

RECOIL & ADJUSTER ASSEMBLIES (EXCAVATORS)

CAT	A20, A21
HITACHI	A19
JOHN DEERE	A19
KOMATSU	A21

SPRINGS & SPRING ASSEMBLIES (DOZERS)

CASE	A1 - A7
CAT	A17
DRESSER	A16
JOHN DEERE	A9 - A14
KOMATSU	A18

TRACK ADJUSTERS* (DOZERS)

CASE	A1 - A7
CAT	A17
DRESSER	A15, A16
JOHN DEERE	A8 - A14
KOMATSU	A18

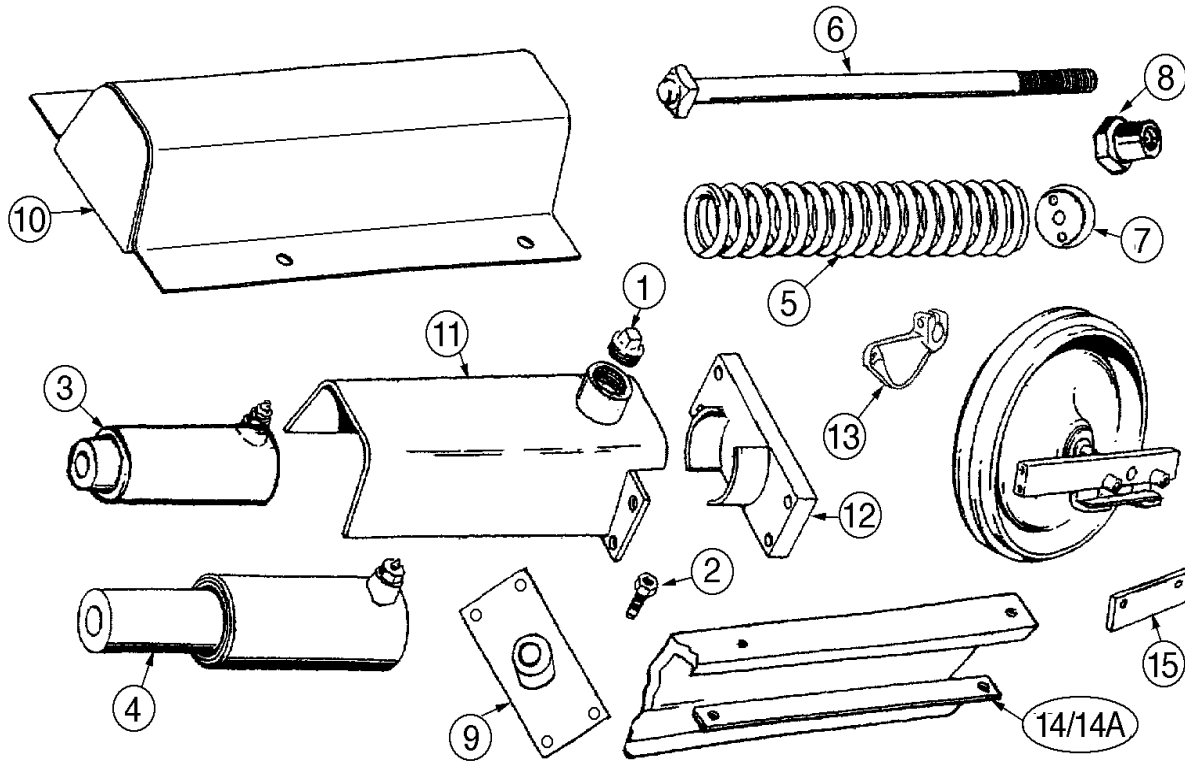
TRACK ADJ. & SPRING COVERS

CASE	A1, A3, A5, A7
JOHN DEERE	A9, A11, A13

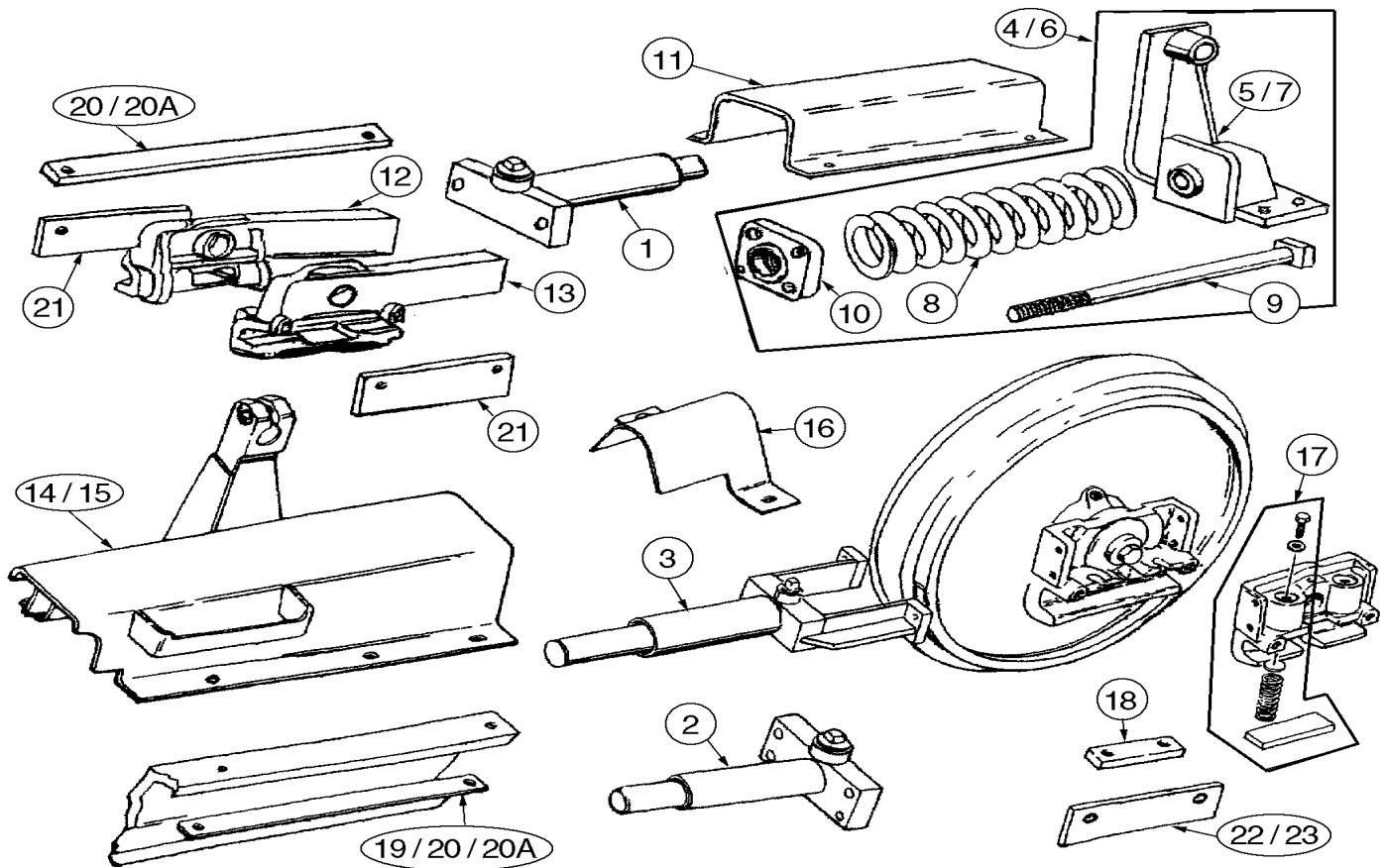
TRACK FRAMES

JOHN DEERE	A11
------------	-----

***ALL COMPLETE TRACK ADJUSTER ASSEMBLIES INCLUDE A GREASE FITTING AND PLUG**



Ref.	Part No.	Description	Notes	Qty.	lbs.
1	217-532	Plug	All adjusters	2	0.4
2	D35287	Fitting	Case track adjusters only	2	0.2
Case 310, 350					
3	D42202	Track Adjuster Assembly		2	14
	D42199	Tube		2	9
	R48241	Rod		2	8
	907001	Seal Kit		2	1
Case 350B					
4	R41362	Track Adjuster Assembly		2	17
	D42199	Tube		2	9
	R48240	Rod		2	8
	907001	Seal Kit		2	1
Case 310		For Manual Adjuster			
5	D39498	Track Tension Spring		2	25
6	D20845	Bolt		2	7
7	D20844	Threaded Ring		2	3.4
8	D20843	Threaded Nut		2	1.4
9	PV415	Adapter	To bolt Adjuster To New Style Idler	2	11
Case 350, 350B					
10	R46068	Recoil Spring Assembly	R/H or L/H	2	48
11	D43513	Adjuster Shield		2	6.8
12	D43510	Adjuster Mount		2	8
13	D42198	Top Roller Bracket		2	8
To use R46068 on 310 machines, also change # 3 & # 12 and use 350 style idler					
Case 310, 350, 350B					
14	D35276	Wear Plate	3/8" thick	4	3
14A	PV432	Wear Plate	1/2" thick	4	3
15	D43509	Idler Guide Plate		4	3

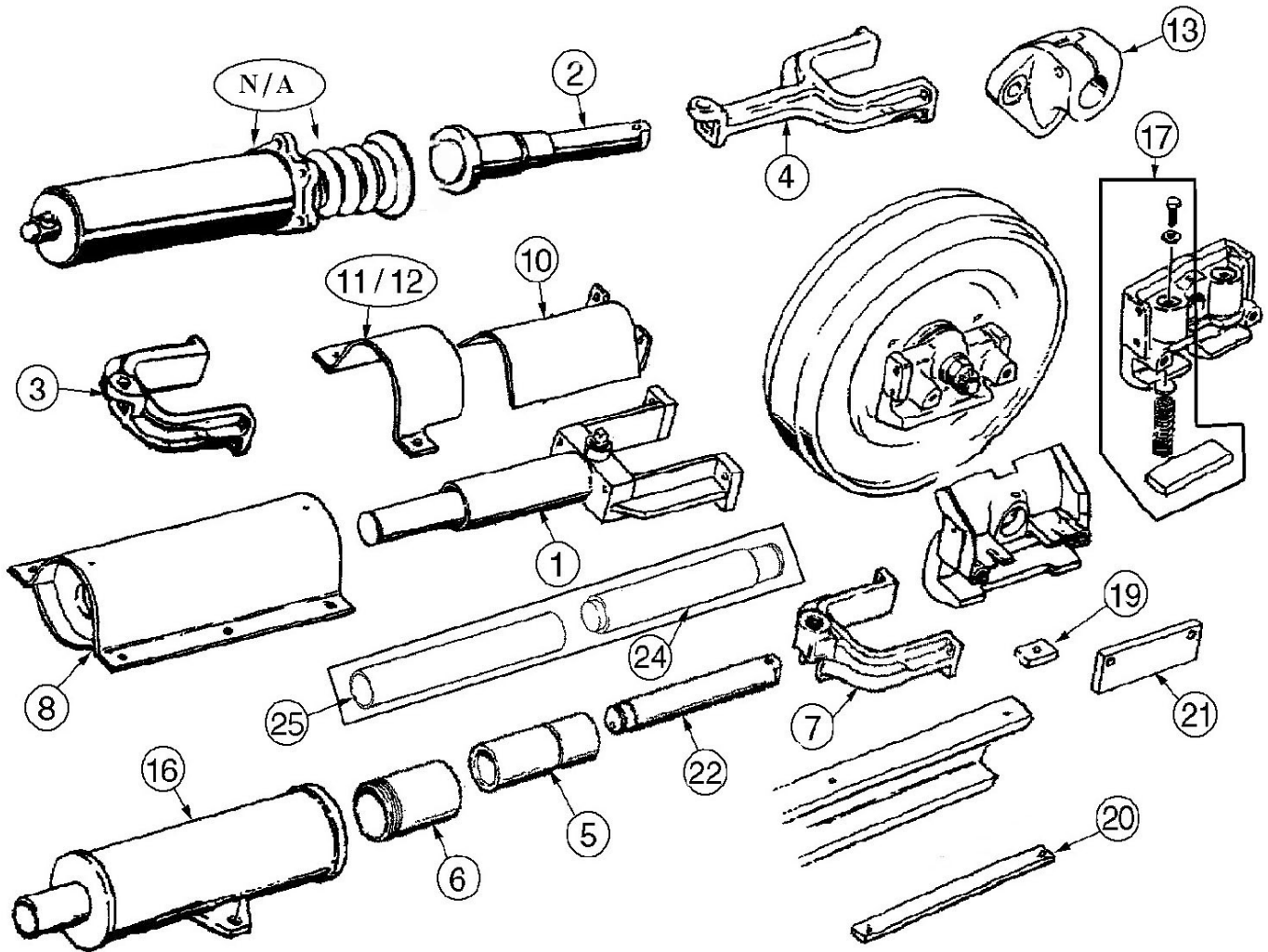


Ref.	Part No.	Description	Notes	Qty.	lbs.
	217-532	Plug	All adjusters	2	0.4
	D35287	Fitting	Case track adjusters only	2	0.2
Case 450 to s/n 3050800					
1	D35504	Track Adjuster Assembly	2 Bolt	2	24
	D35507	Yoke	6 1/4" Center to Center	2	16
	D35506	Rod w/ hole		2	8
	907002	Seal Kit		2	1
Case 450 to s/n 3050800					
1	D48596	Track Adjuster Assembly	2 Bolt	2	26
	D48595	Yoke	7 3/8" Center to Center	2	18
	D35506	Rod w/ hole		2	8
	907002	Seal Kit		2	1
Case 450 after s/n 3050800					
2	R29709	Track Adjuster Assembly	4 Bolt	2	28
	R24561	Yoke		2	20
	R51793	Rod		2	8
	907002	Seal Kit		2	1

TRACK ADJUSTERS

CASE 450, 455, 550

Ref.	Part No.	Description	Notes	Qty.	lbs.
Case 450B, 450C, 455, 455B, 455C					
3	R51909	Track Adjuster Assembly		2	39
	389390A1	Yoke		2	30
	R51793	Rod		2	8
	907002	Seal Kit		2	1
Case 450C Long Track, 550 to s/n JAK0013968					
3	R54459	Track Adjuster Assembly		2	45
	389390A1	Yoke		2	30
	R54460	Rod		2	15
	907002	Seal Kit		2	1
Case 550 after s/n JAK0013968					
3	R57442	Track Adjuster Assembly		2	45
	389390A1	Yoke		2	30
	R57443	Rod		2	15
	907002	Seal Kit		2	1
Case 550E, 550G, 550H					
3	R58480	Track Adjuster Assembly		2	49
	389390A1	Yoke		2	30
	R58450	Rod		2	19
	907002	Seal Kit		2	1
Case 450 to s/n 3050800					
4	PV603	Recoil Spring Assembly L/H		1	80
5	D35355	Top Roller Mounting Bracket L/H		1	28
6	PV604	Recoil Spring Assembly R/H		1	80
7	D35354	Top Roller Mounting Bracket R/H		1	28
8	D35277	Recoil Spring		2	40
9	D38668	Bolt		2	8
10	D47539	Nut		2	5.7
11	D35337	Spring Cover		2	12.3
12	D48593	Idler Bracket R/H	Use with D48596 Track Adjuster	2	25
13	D48592	Idler Bracket L/H	Use with D48596 Track Adjuster	2	26.5
Case 450 (After s/n 3050800) 450B, 450C, 455C, 550, 550E, 550G, 550H					
14	187916A2	Recoil Spring Assembly L/H	Will replace 109711A2	2	100
15	187917A2	Recoil Spring Assembly R/H	Will replace 109712A2	2	100
16	R57631	Adjuster Cover	550, 550E, 550G, 550H	2	3
Case 450, 450B, 450C, 455C, 550, 550E, 550G, 550H					
17	144392A3	Idler Wear Kit	For R58710 Idler	2	7
18	R52401	Spacer Plate	450C, 550, 550E	4	1
19	R58373	Wear Plate, 3/8" thick	550E, 550G, 550H	4	2
20	D35276	Wear Plate, 3/8" thick		4	3
20A	PV432	Wear Plate, 1/2" thick	D35276	4	3
21	D35269	Idler Guide Plate	450	4	4
22	R48847	Idler Guide Plate	450B	4	4
23	R49772	Idler Guide Plate	450C, 455C, 550, 550E	4	4



Ref.	Part No.	Description	Notes	Qty.	Ibs.
	217-532	Plug	All adjusters	2	0.4
	D35287	Fitting	Case track adjusters only	2	0.2
Case 650, 650G					
1	R57098	Track Adjuster Assembly	5 Roller track frame	2	54
	R31976	Yoke		2	34
	R57099	Rod		2	19
	907004	Seal Kit		2	1
Case 850, 1150					
2	D39930	Track Adjuster Assembly		2	28
	D36357	Tube		2	17
	D36361	Rod		2	11
	907003	Seal Kit		2	1
3	D36359	Yoke	850, 5 roller track frame	2	30
4	D36360	Yoke	850, 1150, 6 roller track frame	2	40

TRACK ADJUSTERS

CASE 650, 850, 1150

Ref.	Part No.	Description	Notes	Qty.	Ibs.
Case 850B, 850C, 850D, 855C, 855D					
1	R32467	Track Adjuster Assembly	5 Roller track frame	2	52
	R31976	Yoke		2	34
	R31983	Rod		2	18
	907004	Seal Kit		2	1

Case 650G, 650H, 750H, 850D, 850E, 850G, 850H					
1	129162A1	Track Adjuster Assembly	6 Roller track frame	2	54
	R31976	Yoke		2	34
24	345091A1	Rod		2	19
	907004	Seal Kit		2	1

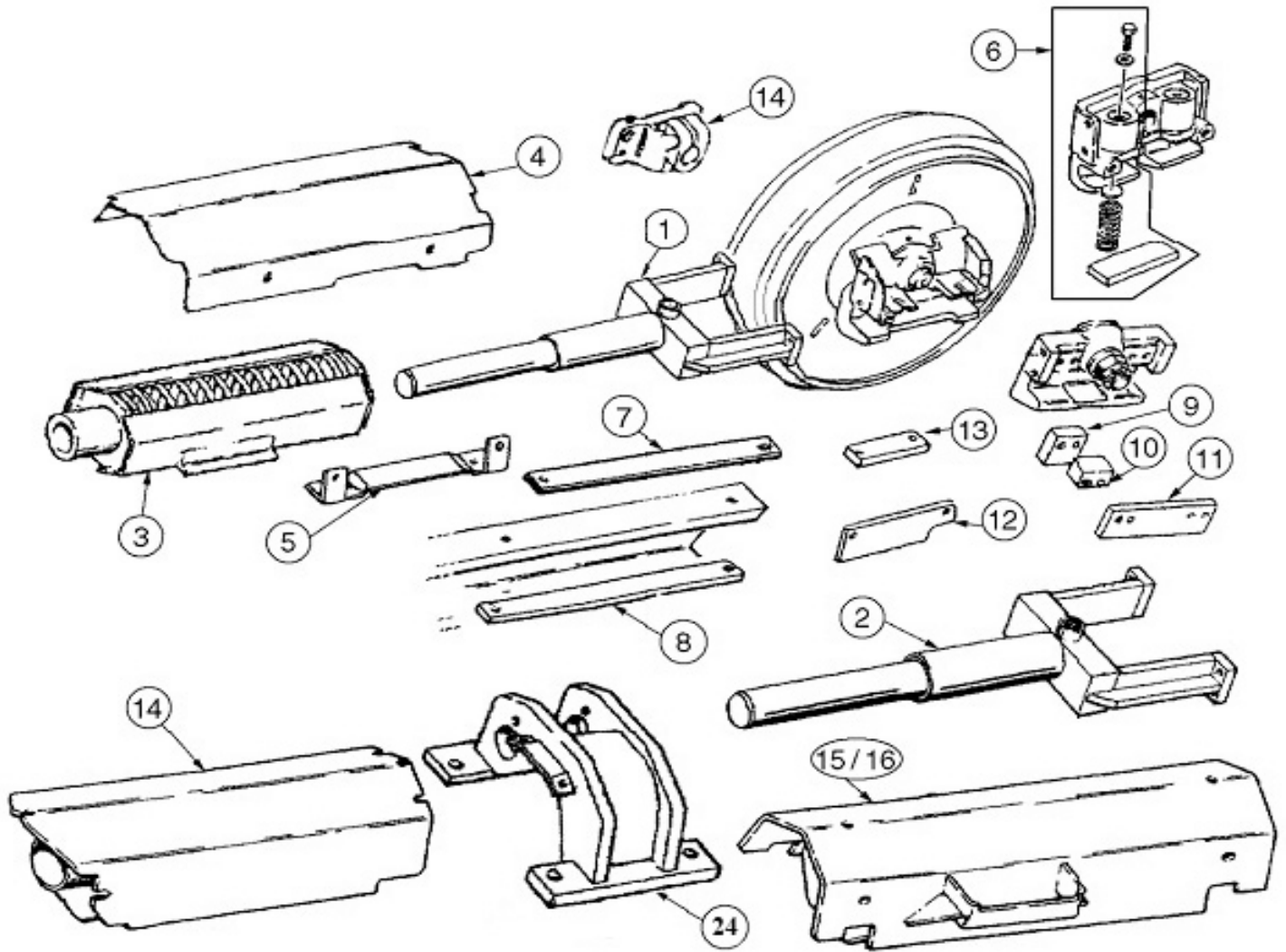
129162A1 Track Adjusters also need rod extensions, which are sold separately

25	345070A2	Tube, Rod Extension	650G, 750H, 850H	2	4.5
25	328671A2	Tube, Rod Extension	650H	2	8
25	345071A1	Tube, Rod Extension	850D Long Track, 850E, 850G	2	8

Case 650, 650G, 650H, 750H, 850B, 850C, 850D, 850E, 850G, 850H, 855C, 855D, 855E					
8	334260A1	Recoil Spring Assembly	R/H & L/H are same	2	129
10	R46855	Adjuster Shield, Front	R/H & L/H are same	2	5
11	R35422	Adjuster Shield, Rear	L/H	2	4
12	R35423	Adjuster Shield, Rear	R/H	2	4
13	D45485	Top Roller Bracket		2	8

Case 650, 650G, 650H, 750H, 850, 850B, 850C, 850D, 850E, 850G, 850H, 855C, 855D, 855E					
17	144393A3	Idler Wear Kit	For 103384A1 Idler	2	7
19	R45568	Spacer Plate		4	1
20	R32465	Wear Plate	3/8" thick	4	2
20	PV433	Wear Plate	1/2" thick, (R32465)	4	3
21	R45570	Idler Guide Plate		4	4

Case 1150B					
	R27161	Track Adjuster Assembly		2	41
22	R26024	Rod		2	19
5	R25658	Inner Tube		2	10
	907004	Seal Kit		2	1
7	R43258	Idler Yoke		2	28
16	R40630	Recoil Spring Assembly	Dozer models only	2	186
6	R25664	Large Tube	Threaded	2	11



Ref.	Part No.	Description	Notes	Qty.	Ibs.
	217-532	Plug	All adjusters	2	0.4
	D35287	Fitting	Case track adjusters only	2	0.2

Case 1150C, 1150D, 1150E, 1155D, 1155E

1	R45815	Track Adjuster Assy	6 Roller track frame	2	58
	R45458	Yoke		2	38
	R39210	Rod		2	20
	907004	Seal Kit		2	1

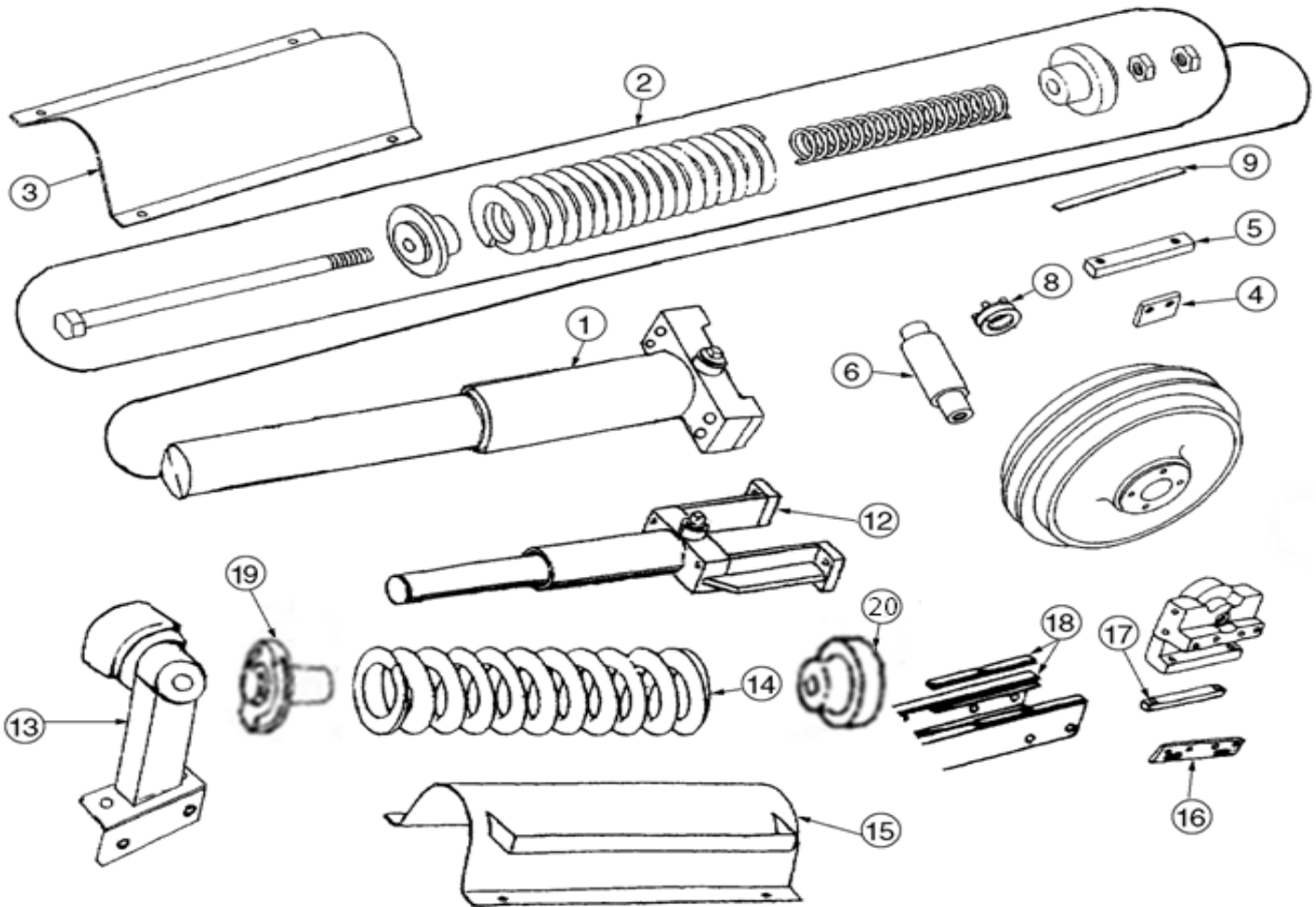
Case 1150C, 1150D, 1150E Long Track & LGP, 1150G, 1150H

1	R45460	Track Adjuster Assy	7 Roller track frame	2	72
	R45458	Yoke		2	38
	143807A1	Rod		2	33
	907004	Seal Kit		2	1

TRACK ADJUSTERS

Case 1150, 1450, 1550

Ref.	Part No.	Description	Notes	Qty.	lbs.
Case 1450, 1455					
2	PV312	Track Adjuster Assembly	6 Roller track frame	2	64
	R54263	Yoke		2	48
	R28359	Rod		2	15
	907004	Seal Kit		2	1
Case 1450B, 1455B, 1550					
2	R52132	Track Adjuster Assembly	6 Roller track frame	2	76
	R54263	Yoke		2	48
	R34798	Rod		2	31
	907004	Seal Kit		2	1
Case 1450B, 1550 Long Track & LGP					
2	R52131	Track Adjuster Assembly	7 Roller track frame	2	95
	R54263	Yoke		2	48
	R43141	Rod		2	46
	907004	Seal Kit		2	1
Case 1150C, 1150D, 1155D, 1150E, 1155E, 1150G, 1150H					
	R43094	Recoil Spring Assembly	1150C (Order (1) R57728, (1) PV336, (2) R45634, brackets are welded on 1150C)		
3	R57728	Recoil Spring Assembly	1150D, 1155D, 1150E, 1155E, 1150G,1150H	2	151
4	PV336	Recoil Spring Cover	1150C Dozer	2	28
	R45472	Recoil Spring Cover	1150D, 1155D, 1150E, 1155E, 1150G,1150H	2	26
5	R45634	Bracket	1150D, 1155D, 1150E, 1155E, 1150G,1150H	4	5
Case 1150B, 1150C, 1150D, 1150E, 1150G, 1150H, 1155B, 1155C, 1155D, 1155E					
6	144394A3	Idler Wear Kit	For R58616 Idler	2	7
7	R25692	Wear Plate		4	4
8	R40782	Wear Plate	3/8" thick	4	3
8	PV434	Wear Plate	1/2" thick, (R40782)	4	4
9	R25694	Thrust Block Inner		8	3
10	R30203	Spacer Block		8	3
11	R30204	Idler Guide Plate		4	5
12	R44516	Idler Guide Plate		4	5
13	R52679	Wear Plate		4	5
	R46990	Idler Shaft	For R45817 Idler, 1150B, 1150C, 1150D	2	11
14	R27143	Top Roller Bracket		2	20
24	R36522	Bracket	Equalizer Beam, 1150C	2	38
Case 1450B, 1455B					
14	R43616	Recoil Spring Assembly	Dozer	2	228
15	R43621	Recoil Spring Assembly	Loader L/H, No Step	2	228
16	R43622	Recoil Spring Assembly	Loader R/H, No Step	2	228



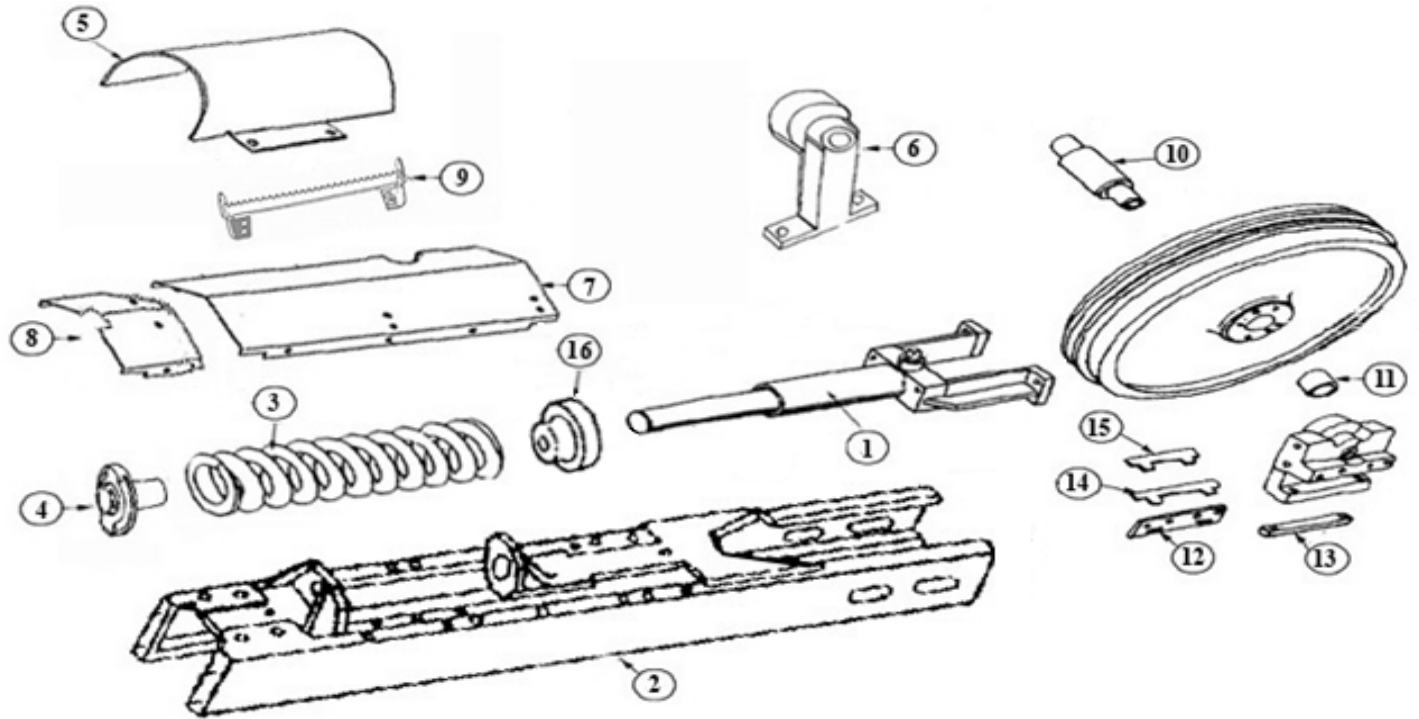
Ref.	Part No.	Description	Notes	Qty.	lbs.
	217-532	Plug	All adjusters	2	0.4
	2S5925	Fitting	Will not fit OEM Adjusters	2	0.2
John Deere 440, 350, 350B, 350C, 350D, 1010, 400G					
1	PV303	Track Adjuster Assembly	5 Roller track frame	2	43
	T145145	Yoke		2	22
	AT36389	Rod	*See note below	2	14
	905000	Seal Kit		2	1
John Deere 400G Long Track					
1	PV302	Track Adjuster Assembly	6 Roller track frame	2	46
	T145145	Yoke		2	22
	AT36390	Rod	*See note below	2	17
	905000	Seal Kit		2	1

***Note: When purchasing our rod, Hone the tube to 2.380" Our rod is 2.375", OEM rod is 2.360"**

TRACK ADJUSTERS

JOHN DEERE

Ref.	Part No.	Description	Notes	Qty.	lbs.
	217-532	Plug	All adjusters	2	0.4
	2S5925	Fitting	Will not fit OEM Adjusters	2	0.2
John Deere 2010 to s/n 42000					
1	PV311A	Track Adjuster Assembly	5 Roller track frame	2	44
	T145464	Yoke		2	22
	AT36389	Rod	*See note below	2	14
	905000	Seal Kit		2	1
John Deere 2010 after s/n 42001					
1	PV311	Track Adjuster Assembly	5 Roller track frame	2	44
	T145464	Yoke		2	22
	AT36392	Rod	*See note below	2	15
	905000	Seal Kit		2	1
John Deere 350, 350B, 350C, 350D, 1010, 400G					
2	PV601	Recoil Spring Assembly		2	51
3	T10018	Spring Cover		2	10
4	T27516	Idler Guide Plate		8	1
5	T20851	Threaded Plate		4	2
6	T16844	Idler Shaft	350, 350B, 350C, 350D, 2010	2	6.6
8	AT10032	Seal	350, 350B, 350C, 350D, 2010	4	1
9	AT133230	Wear Plate		4	2
John Deere 450 Loader, 450, 450B, 450C, 450D, 450E, 550, 550B, Dozer					
12	PV300	Track Adjuster Assembly	5 Roller track frame	2	49.6
	T20700	Yoke		2	34
	AT36391	Rod	*See note below	2	15
	905000	Seal Kit		2	1
John Deere 450E, 550, 550B, Long Track					
12	PV305	Track Adjuster Assembly	6 Roller track frame	2	57
	T20700	Yoke		2	34
	AT113396	Rod	*See note below	2	19
	905000	Seal Kit		2	1
John Deere 450B, 450C, 455D, 455E, 555, 555B, Loader					
12	PV301	Track Adjuster Assembly	5 Roller track frame	2	55
	T20700	Yoke		2	34
	AT36390	Rod	*See note below	2	17
	905000	Seal Kit		2	1
John Deere 450, 450B, 450C, 450D, 450E, 455D, 455E, 550, 550B, 555, 555B					
13	AT31128	Top Roller Bracket		2	29.2
14	T106882	Recoil Spring		2	50
19	T32049	Cap, rear		2	14
20	T32050	Cap, front		2	
	PV3682	Bolt	To install spring	1	4
15	AT84806	Spring Cover		2	12.1
16	T112813	Idler Guide Plate		4	2
17	T20696	Threaded Plate		4	1
18	AT21030	Wear Strip Set	Set of 4 pcs.	2	5
6	T40826	Front Idler Shaft	T21393	2	9.5
8	AT135802	Seal	New Style	4	1
*Note: When purchasing our rod, Hone the tube to 2.380" Our rod is 2.375", OEM rod is 2.360"					

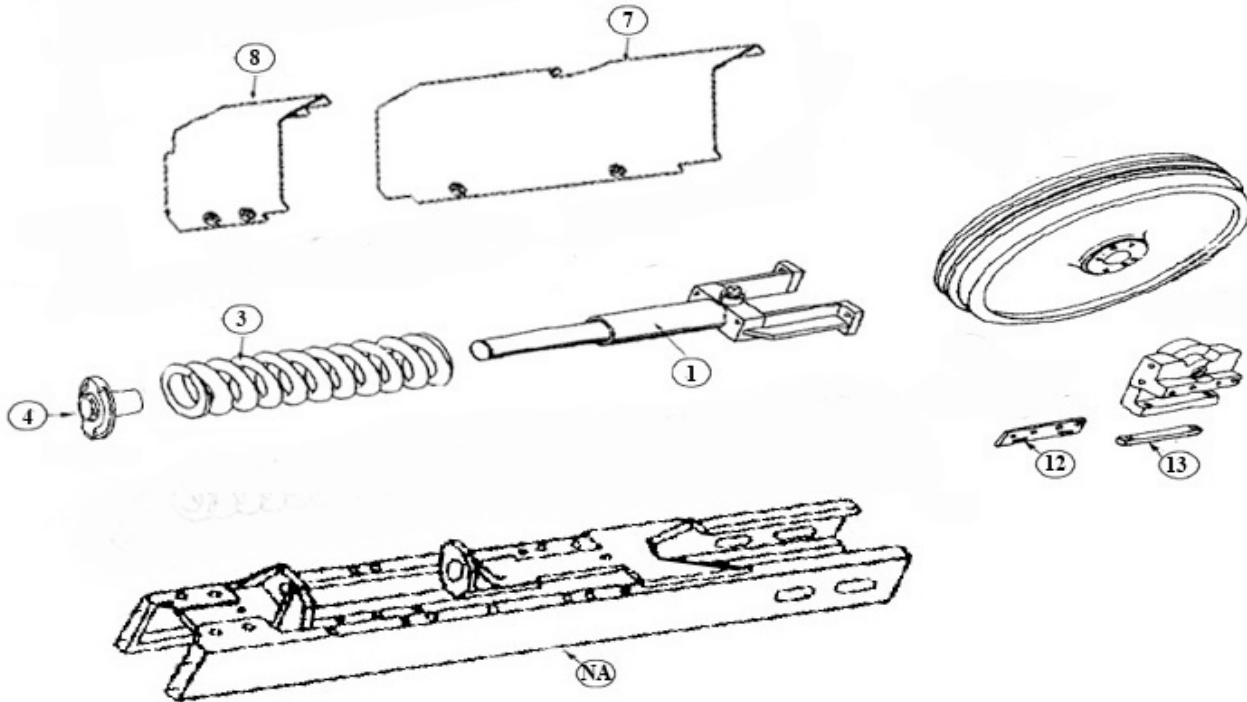


Ref.	Part No.	Description	Notes	Qty.	lbs.
	217-532	Plug	All adjusters	2	0.4
	2S5925	Fitting	Will not fit OEM Adjusters	2	0.2
John Deere 450G, 455G					
1	PV304	Track Adjuster Assembly	5 Roller track frame	2	60
	T147438	Yoke		2	34
	AT124172	Rod		2	25
	905003	Seal Kit		2	1
John Deere 550G to s/n 770862					
1	PV306	Track Adjuster Assembly		2	60
	T147438	Yoke		2	34
	AT124171	Rod		2	25
	905003	Seal Kit		2	1
John Deere 555G					
1	PV313	Track Adjuster Assembly	6 Roller track frame	2	60
	T147438	Yoke		2	34
	AT124174	Rod		2	25
	905003	Seal Kit		2	1
John Deere 450G LT & LGP, 550G after s/n 770863, 650G					
1	PV314	Track Adjuster Assembly	6 Roller track frame	2	60
	T147438	Yoke		2	34
	AT124173	Rod		2	25
	905003	Seal Kit		2	1

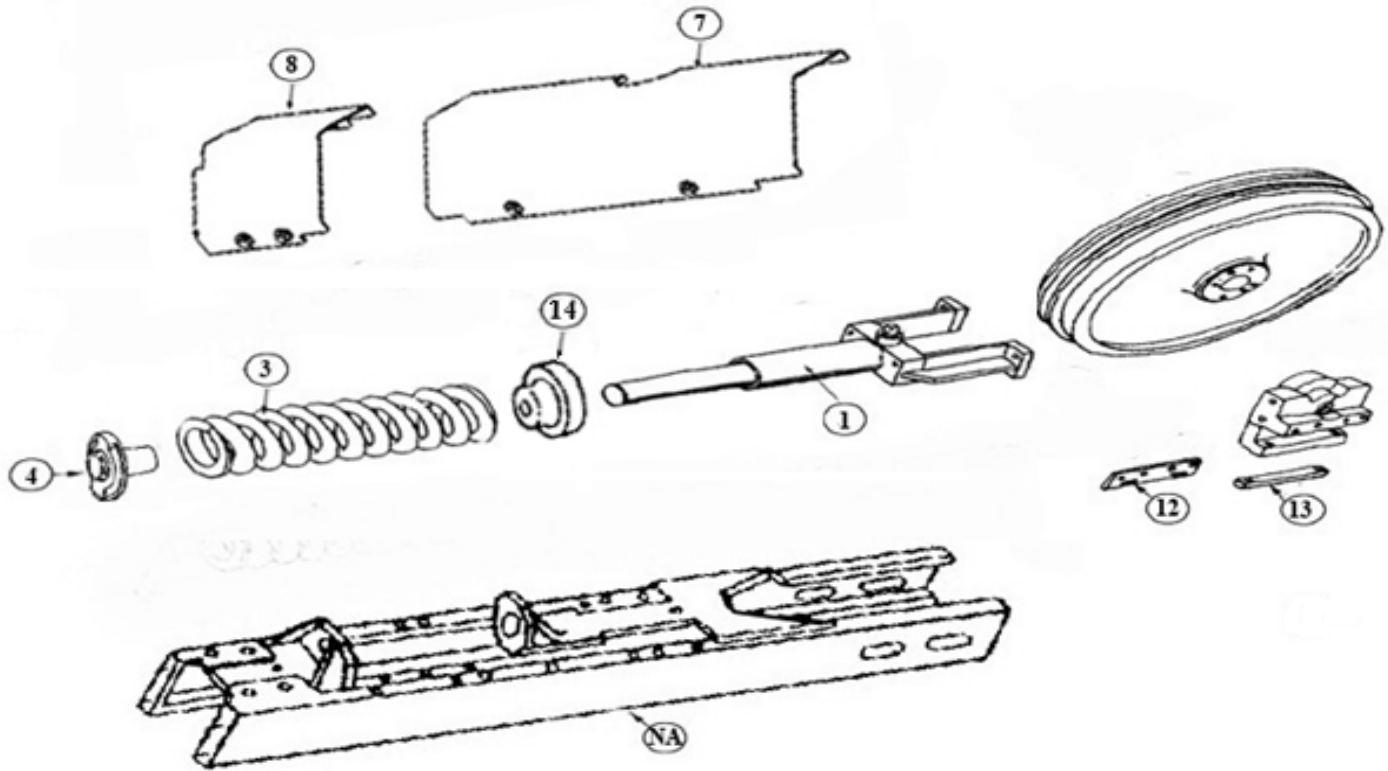
TRACK FRAMES & MISC.

JOHN DEERE

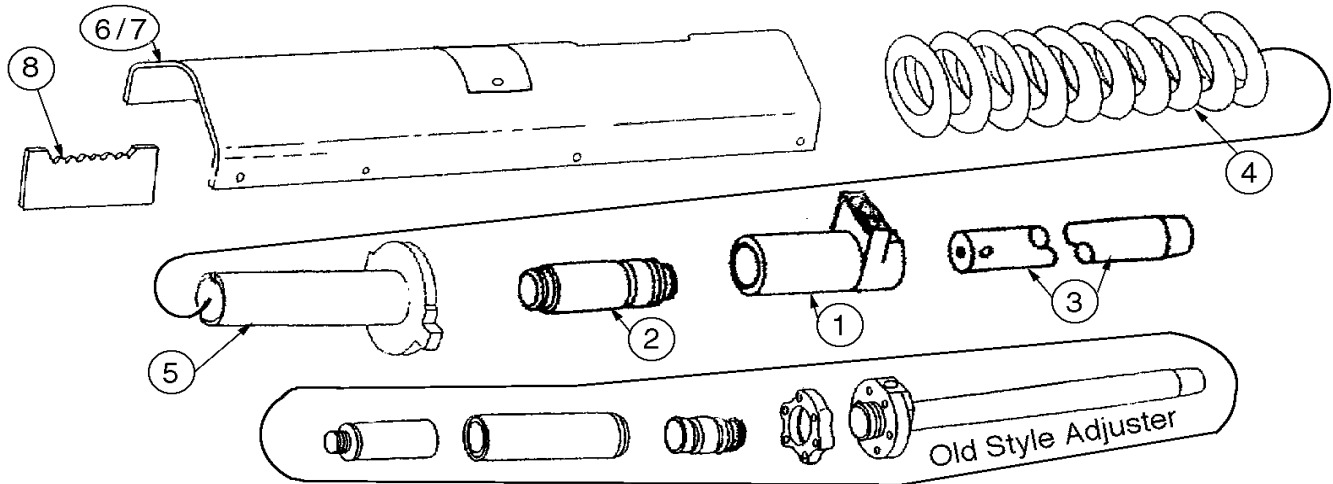
Ref.	Part No.	Description	Notes	Qty.	Ibs.
John Deere 450G, 455G, 550G					
3	T106882	Recoil Spring		2	50
4	T32049	Cap, rear		2	14
16	T32050	cap, front		2	
	PV3682	Bolt	To install spring	1	4
5	T121455	Spring Cover	to s/n 770862	2	10.8
6	AT161857	Top Roller Bracket	to s/n 770862	2	32
6	AT161844	Top Roller Bracket	after s/n 770862	2	32
10	T40826	Idler Shaft		2	9.5
11	AT135802	Seal		4	1
12	T112813	Idler Guide Plate		4	2
13	T20696	Threaded Plate		4	1
	T105530	Wear strip	On track frame	4	0.7
14	T144187	Plate		4	0.5
15	T144186	Shim		AR	0.5
John Deere 450G, 455G, after s/n 770863					
7	T158525	Cover R/H	5 Roller track frame	2	30
7	T158526	Cover L/H		2	30
8	AT175386	Cover, Rear	R/H or L/H	2	17
8	AT172539	Step	All G Models	2	8.5
John Deere 450G Long Track & LGP, 550G, after s/n 770863					
2	AT173938	Track Frame L/H		1	345
2	AT173939	Track Frame R/H		1	345
7	T158527	Cover R/H	6 Roller track frame	2	30
7	T158528	Cover L/H		2	30
8	AT175394	Cover, Rear R/H		2	18
8	AT175395	Cover, Rear L/H		2	18
9	AT172539	Step	All G Models	2	8.5
John Deere 555G, 650G					
2	AT173992	Track Frame L/H		1	410
2	AT173997	Track Frame R/H		1	410
3	T105605	Recoil Spring		2	68
4	T32049	Cap, rear		2	14
16	T32050	cap, front		2	
	PV3682	Bolt	To install spring	1	4
5	T121455	Spring Cover	to s/n 770862	2	10.8
6	AT161857	Top Roller Bracket	to s/n 770862	2	32
6	AT161844	Top Roller Bracket	after s/n 770862	2	32
7	T158535	Cover R/H	650G after s/n 770863	1	29
7	T158536	Cover L/H	650G after s/n 770863	1	30
8	AT175394	Cover Rear R/H		1	18
8	AT175395	Cover Rear L/H		1	18
9	AT172539	Step	All G Models	1	8.5
12	T105526	Guide Plate		4	2
13	T20696	Threaded Plate		4	1
	T105530	Wear strip	On track frame	4	0.7
14	T144188	Plate		4	1
15	T144189	Shim		AR	1



Ref.	Part No.	Description	Notes	Qty.	lbs.
John Deere 450H					
1	PV323	Track Adjuster Assembly	5 Roller track frame	2	48
	T169180	Yoke		2	34
	AT207649	Rod		2	14
	905003	Seal Kit		2	1
John Deere 450H Long Track & LGP, 550H, 450J, 550J					
1	PV324	Track Adjuster Assembly	6 Roller track frame	2	51
	T169180	Yoke		2	34
	AT210058	Rod		2	17
	905003	Seal Kit		2	1
John Deere 650H, 650J					
1	PV325	Track Adjuster Assembly	6 Roller track frame	2	56
	T169180	Yoke		2	34
	AT211001	Rod		2	22
	905003	Seal Kit		2	1
John Deere 650HXL, 650JXL					
1	PV326	Track Adjuster Assembly	7 Roller track frame	2	59
	T169180	Yoke		2	34
	AT225225	Rod		2	25
	905003	Seal Kit		2	1

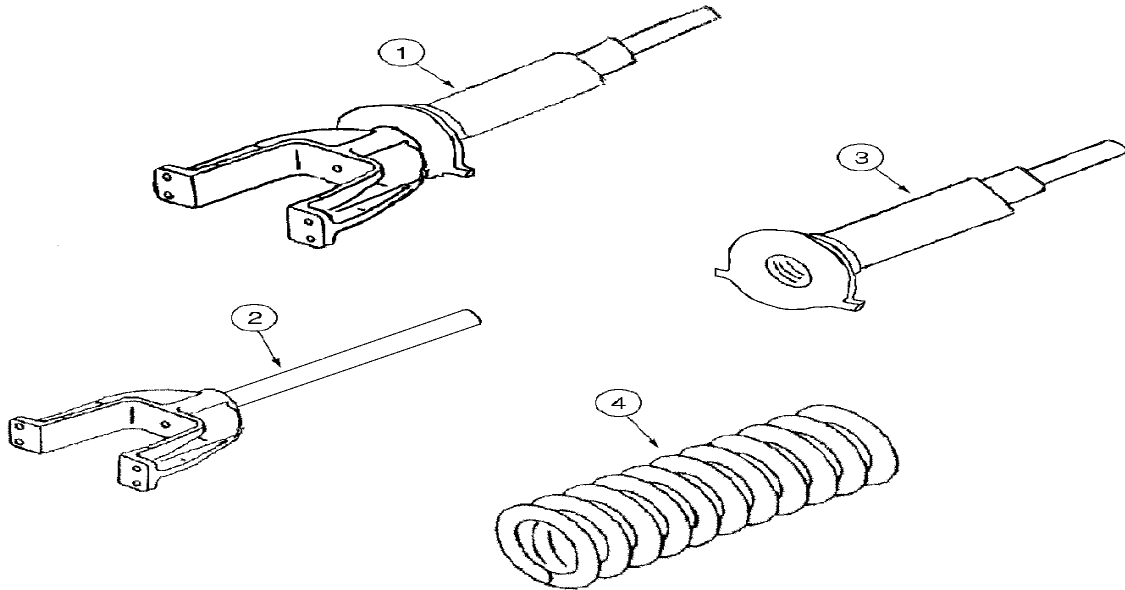


Ref.	Part No.	Description	Notes	Qty.	lbs.
John Deere 450H, 450J, 550H, 550J, 650H, 650J					
3	T106882	Recoil Spring	450H, 450J, 550H, 550J	2	50
3	T105605	Recoil Spring	650H, 650J	2	68
4	T32049	Cap, rear		2	14
14	T32050	Cap, front		2	
	PV3682	Bolt	To install spring	1	4
12	T172899	Guide Plate		4	2
13	T20696	Threaded Plate		4	1
	T105530	Wear strip	On track frame	4	0.7
John Deere 450H Long Track & LGP, 550H, 450J Long Track & LGP, 550J					
7	T172588	Cover R/H	6 Roller track frame	2	26
7	T172591	Cover L/H		2	26
8	AT209844	Cover, Rear R/H		2	18
8	AT209843	Cover, Rear L/H		2	18
John Deere 650H, 650J					
7	T173978	Cover R/H	6 Roller track frame	2	27
7	T173979	Cover L/H		2	27
8	AT210987	Cover, Rear R/H		2	19
8	AT210988	Cover, Rear L/H		2	19

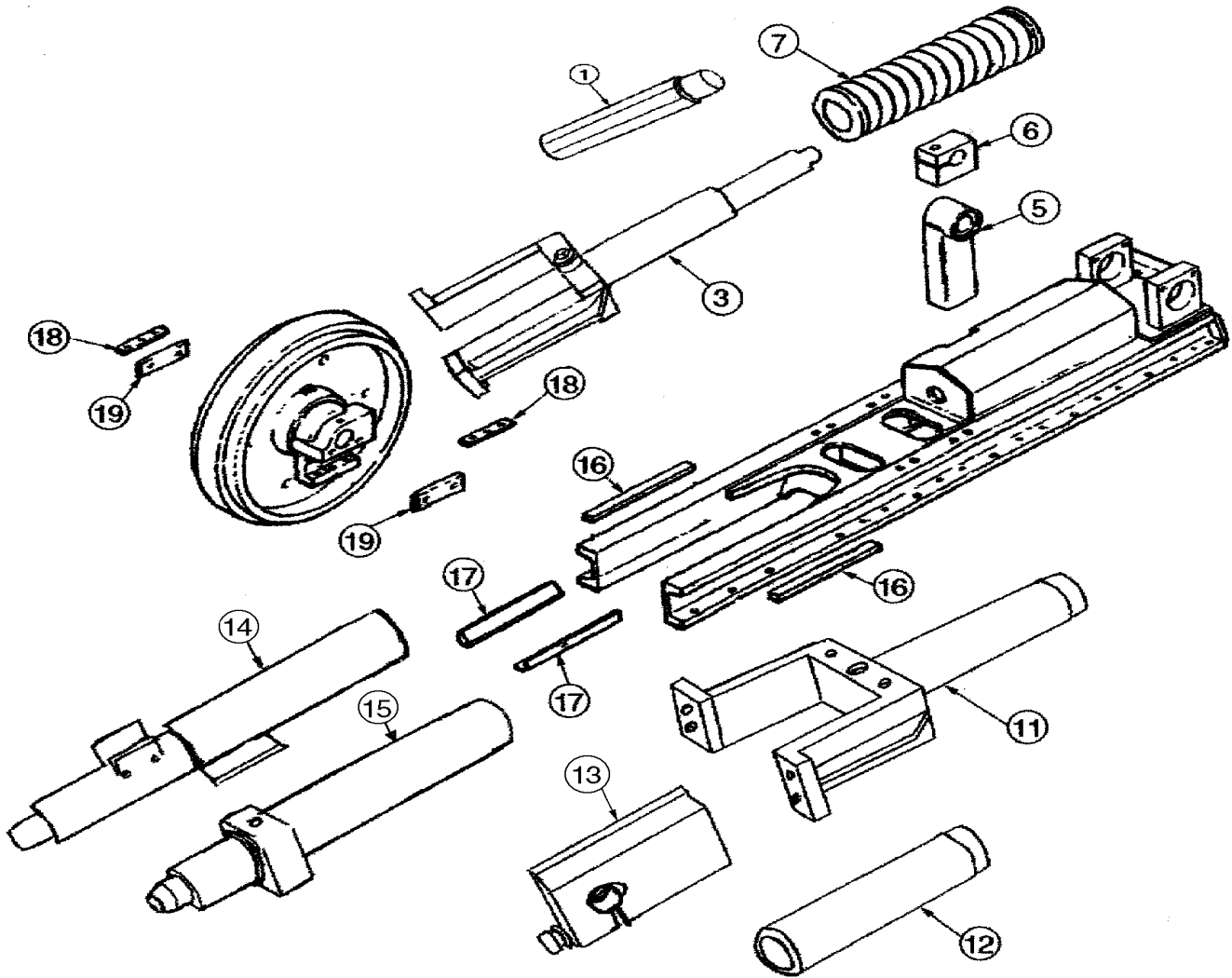


To replace old style adjuster use items 1, 2, & 3

Ref.	Part No.	Description	Notes	Qty.	lbs.
	2S5925	Fitting	Will not fit OEM Adjusters	2	0.2
John Deere 655, 655B, 750, 750B, 750C, LT & LGP					
	PV316	Track Adjuster Assembly		2	45
1	AT180805	Head Assembly		2	25
2	T73206	Piston		2	20
	905001	Seal Kit		2	1
3	T80875	Rod	655, 655B, 750, 750B	2	28
3	T118348	Rod	750B LT & LGP	2	33
3	T80878	Rod	750, 750B, LGP	2	54
John Deere 655, 655B, 750, 750B, 750C, LT & LGP					
4	T184203	Spring		2	110
5	T82455	Housing		2	40
6	AT80946	Spring Cover R/H	750, 750B	2	69
7	AT80947	Spring Cover L/H	750, 750B	2	70
	AT113783	Track Adjuster Cover	750, 750B, Long Track	2	17
(Spring Covers on LGP are Different)					
John Deere 755, 755A, 755B, 850, 850B, 850C, LT & LGP					
	PV316	Track Adjuster Assembly		2	45
1	AT180805	Head Cyl.		2	25
2	T73206	Piston		2	20
	905001	Seal Kit		2	1
3	T80875	Rod	755, 755A, 755B, 850, 850B	2	28
John Deere 755, 755A, 755B, 850, 850B, 850C, LT & LGP					
4	T184268	Spring		2	152
5	T82455	Housing		2	40
6	AT80954	Spring Cover R/H	850, 850B	2	83
7	AT80955	Spring Cover L/H	850, 850B	2	83
	AT80868	Track Adjuster Cover	850, 850B, Long Track	2	26
(Spring Covers on LGP are Different)					



Ref.	Part No.	Description	Notes	Qty.	lbs.
	2S5925	Fitting		2	0.2
Cat D3 s/n 78U, D3 s/n 79U, D3B s/n 27Y					
1	PV322	Track Adjuster Assembly 5 Roller track frame		2	82
2	6S3275	Yoke		2	39
3	6S3360	Tube, with nut		2	42
	904405	Seal Kit		2	1
4	5K2754	Spring		2	76
Cat D3B s/n 27Y, D3B LGP s/n 24Y, D3C to s/n 1PJ0868, D3C to s/n 5KG0811					
1	PV335	Track Adjuster Assembly 5 Roller track frame		2	86
2	6S7399	Yoke		2	45
3	6S3360	Tube, with nut		2	42
	904405	Seal Kit		2	1
4	5K2754	Spring		2	76
Cat D3C after s/n 1RT0869, D3C after s/n 5KG0812					
D3C s/n 6SL, D4C, D4C LGP, XL Series III, D4C to s/n 6YL2324, D4C s/n 7SL, D4C s/n 1FW					
1	PV338	Track Adjuster Assembly 6 Roller track frame		2	81
2	5G4381	Yoke		2	39
3	112-4297	Tube, with nut		2	41
	904405	Kit		2	1
4	8Y2735	Spring		2	53
Cat D4C from s/n 6YL2325 to s/n 6YL9999, D4C s/n 1RJ (6 Roller)					
1	PV339	Track Adjuster Assembly		2	85
2	6S7399	Yoke		2	45
3	8Y2733	Tube, with nut		2	40
	904405	Kit		2	1
4	8Y2735	Spring		2	53
CAT D4, AC HD5, HD6, IH TD6, TD9 (To Convert From Manual to Hydraulic Track Adjuster)					
	PV310	Track Adjuster Assembly		2	30
	905000	Seal Kit		2	1

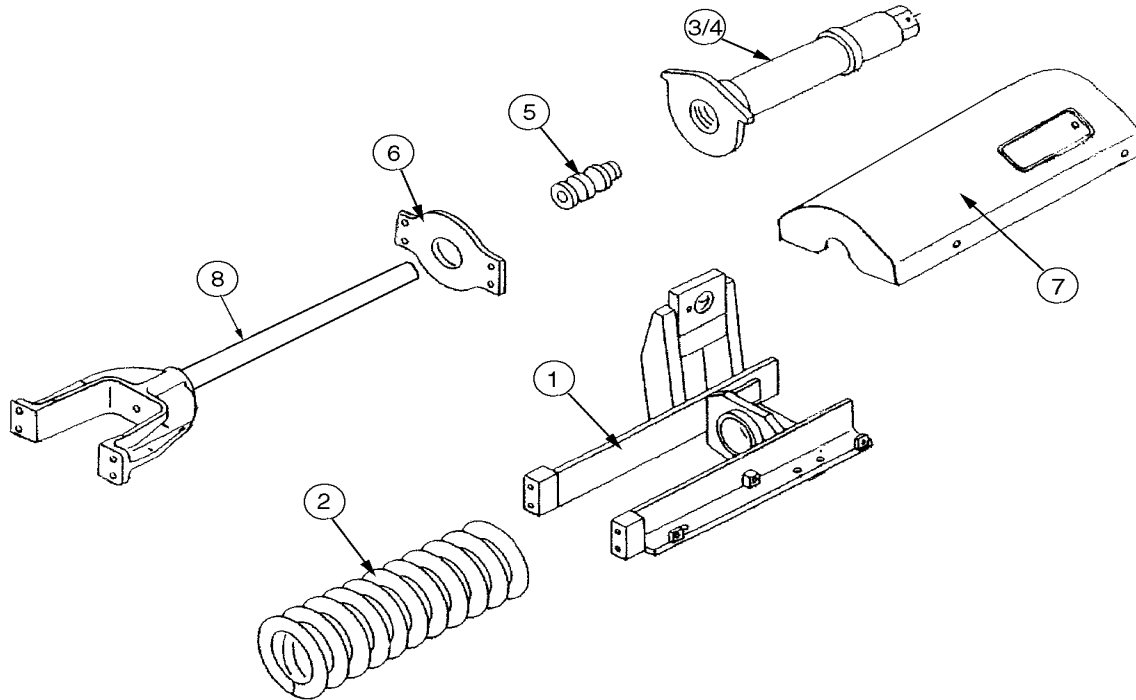


Ref.	Part No.	Description	Notes	Qty.	lbs.
TD7, 100, to s/n 9500					
	906000	Seal Kit		2	1
TD7, 100 after s/n 9500 TD7C, TD7E, TD7G, TD7H, 100C, 100E, TD8, TD8C, TD8E, TD8G, TD8H, 125C, 125E					
	622049C1	Piston	5 Roller track frame	2	2
1	621448C3	Rod		2	11
TD7C, TD7E, TD7G, TD7H, 100C, 100E, 100G (5 Roller track frame)					
3	PV307	Track Adjuster Assembly (1 pc rod)		2	49
	1299268H91	Yoke	use PV307		
	906001	Seal Kit		2	1
	736160C2	Yoke	use PV307		
TD8C, TD8E, TD8G, 125C, 125E, 125G (5 Roller track frame)					
3	PV308	Track Adjuster Assembly (1 pc rod)		2	52
	621447C1	Yoke	use PV308		
	906001	Seal Kit		2	1
TD7C, TD7E, TD7G, TD8C, TD8E, TD8G					
	621018C1	Drawbar		1	10

**TRACK ADJUSTERS
SPRINGS & WEAR PARTS**

DRESSER

Ref.	Part No.	Description	Notes	Qty.	lbs.
TD8G Long Track & LGP (6 Roller track frame)					
3	PV308A	Track Adjuster Assembly	1 Pc Rod	2	62
	621447C1	Yoke	Use PV308A		
	906001	Seal Kit		2	
TD7G, TD8H (6 Roller track frame)					
3	PV307A	Track Adjuster Assembly	1 Pc Rod	2	53
	1299268H91	Yoke	Use PV307A		
	906001	Seal Kit		2	
	736160C2	Yoke	Use PV307A		
TD9H (6 Roller track frame)					
3	PV3089	Track Adjuster Assembly	1 Pc Rod	2	60
	1299266H91	Yoke	Use PV3089		
	906001	Seal Kit		2	
	621447C1	Yoke	Use PV3089		
TD7C, TD7E, TD7G, TD7H, 100C, 100E, 100G, TD8H					
5	626651C1	Top Roller Bracket	For IN2805 top roller	2	16
6	1233532H1	Top Roller Bracket	For IN3511 top roller	2	9
7	736180C1	Recoil Spring		2	50
17	621338C1	Wear Plate		4	1
19	621424C1	Idler Guide Plate	TD7C, TD7E, 100C, 100E	4	2
19	621445C1	Idler Guide Plate	TD7G, 100G	4	2
18	622044C1	Idler Wear Plate		4	2
16	622221C1	Idler Wear Plate		4	4
TD8C, TD8E, TD8G, 125C, 125E, 125G, TD9H					
5	626651C1	Top Roller Bracket	For IN2809 top roller	2	16
6	1233532H1	Top Roller Bracket	For IN3511 top roller	2	9
7	621452C1	Recoil Spring		2	85
16	622221C1	Idler Wear Plate		4	4
17	662526C1	Idler Wear Plate		4	4
18	622044C1	Idler Wear Plate		4	2
19	621445C1	Idler Guide Plate		4	2
TD15B after s/n 10064, TD15C, 175C after s/n 40740					
	PV319	Track Adjuster Assembly	With Fitting	2	70
11	655822C2	Cylinder Fork	Without cover shield	2	65
	629256C1	Piston		2	4
	906003	Seal Kit		2	1
	PV331	Cover Shield		2	9
12	609609C2	Tube	weld on	2	20
13	655804C1/655805C1	Idler Brackets	sold in sets only	2	48
Parts above will work on early s/n machines if idler brackets are changed					
TD 15E, 200					
	PV320	Track Adjuster Assemb	With Fitting	2	61
15	743000C1	Tube	2 1/2" ID	2	54
	629256C1	Piston		2	4
	906003	Seal Kit		2	1
TD20, TD20E, TD20G					
	PV318	Track Adjuster Assemb	With Fitting	2	62
14	655608C1	Tube	3" ID	2	57
	629257C1	Piston		2	5
	906004	Seal Kit		2	1
1	655927C1	Rod		2	30



Ref.	Part No.	Description	Notes	Qty.	lbs.
Komatsu Track Adjuster, L/H (D31 A16-17-P16-17-S16-17 After s/n 32001) D31E18 D37E1-2, D37P-2					
	PV328	Track Adj & Spring Assy L/H	Dozer Models Only, Not Assembled*	1	170
1	113-30-41211	Bracket L/H	For KM778 Roller, Dozer Models Only	1	62
2	113-30-34210	Spring		2	50
	PV333	Track Adjuster Assembly L/H		1	50
4	113-30-34230	Cylinder L/H		1	34
5	113-30-24161	Piston		2	3
	909001	Seal Kit		2	1
6	113-30-34190	Plate		2	8
7	113-30-37110	Spring Cover L/H		1	19
8	113-30-34150	Yoke		2	42

Will also work on older s/n if top roller is changed



Komatsu Track Adjuster, R/H (D31 A16-17-P16-17-S16-17 After s/n 32001) D31E18 D37E1-2, D37P-2					
	PV327	Track Adj & Spring Assy R/H	Dozer Models Only, Not Assembled*	1	170
1	113-30-41220	Bracket R/H	For KM778 Roller, Dozer Models Only	1	64
2	113-30-34210	Spring		2	50
	PV334	Track Adjuster Assembly R/H		1	50
4	113-30-34240	Cylinder R/H		1	34
5	113-30-24161	Piston		2	3
	909001	Seal Kit		2	1
6	113-30-34190	Plate		2	8
7	113-30-37120	Spring Cover R/H		1	19
8	113-30-34150	Yoke		2	42

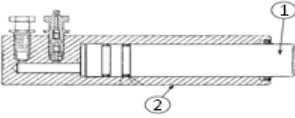
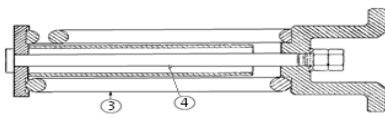




Will also work on older s/n if top roller is changed

Track Adjuster & Spring Assembly can be assembled before shipping at an additional fee.

RECOIL & ADJUSTER ASSY.

JOHN DEERE & HITACHI EXCAVATOR

	Part No.		Qty.	lbs.
	John Deere 490E After s/n 020605, 110, 120			
	9092563	Recoil & Adjuster Assembly	2	112
	3050436	Spring	2	50
	PV753	Seal Kit	2	0.1
	Hitachi EX100-2, EX100-3, EX120-2, EX120-3			
	9092563	Recoil & Adjuster Assembly	2	112
	3050436	Spring	2	50
	PV753	Seal Kit	2	0.1
	John Deere 590D, Hitachi EX150-1			
	9069753	Recoil & Adjuster Assembly	2	154
	3036335	Spring	2	82
	PV753	Seal Kit	2	0.1
	John Deere 160LC, EX150-5, EX160-5			
	9149643	Recoil & Adjuster Assembly	2	191
	AT180044	Spring	2	97
	PV7536	Seal Kit	2	0.1
	Hitachi EX200-2, EX200-3			
	9090028	Recoil & Adjuster Assembly	2	225
	3047941	Spring	2	125
	PV752	Seal Kit	2	0.1
	(Will Not Fit EX200-5 Machine)			
	John Deere 200LC, Hitachi EX200-5			
	9144658	Recoil & Adjuster Assembly	2	241
	AT219476	Spring	2	126
	PV7536	Seal Kit	2	0.1
	John Deere 230LC, Hitachi EX220-3			
	9092565	Recoil & Adjuster Assembly	2	252
	AT219473	Spring	2	147
	PV7536	Seal Kit	2	0.1

	Part No.		Qty.	lbs.	
	Cat E110B, E120B, 311, 311B, 312, 312B				
		417338	Track Adjuster Assembly	2	21
	1	086-0560	Piston	2	7.5
	2	1R6322	Tube	2	11
		998532	Seal Kit	2	0.1
	3	417342	Recoil Assembly	2	122
	4	6I6457	Bolt w/ nuts	2	10
	Cat 315, 315B, 315BL				
		130-9332	Recoil & Adjuster Assembly	2	204
		102-8139	Spring	2	91
		7Y1744	Adjuster Assembly	2	68
		7Y1780	Cylinder	2	37
		7Y1687	Piston	2	19
		7Y1685	Bolt w/ Nut	2	5
		PV7525	Seal Kit	2	0.1
		117-5553	Chain Guide	4	77
		7Y2481	Step	2	8
	Cat 320, 320L, E200B, EL200B				
		7Y1602	Recoil & Adjuster Assembly	2	212
		7Y1606	Spring	2	94
		7Y1744	Adjuster Assembly	2	68
		7Y1780	Cylinder	2	37
		7Y1687	Piston	2	19
		7Y1685	Bolt w/ Nut	2	5
		PV7525	Seal Kit	2	0.1
		117-5553	Chain Guide	4	77
		7Y2481	Step	2	8
	Cat 320B, 320BL				
		115-6424	Recoil & Adjuster Assembly	2	229
		115-6427	Spring	2	95
		115-6425	Adjuster Assembly	2	73
		115-6429	Cylinder	2	38
		115-6428	Piston	2	27
		122-5076	Bolt w/ Nut	2	7
		PV7526	Seal Kit	2	0.1
		117-5553	Chain Guide	4	77
		7Y2481	Step	2	8
	Cat 320C				
		194-1229	Recoil & Adjuster Assembly	2	
		194-1231	Spring	2	
		145-3031	Piston Rod	2	
		PV7526	Seal Kit	2	0.1

RECOIL & ADJUSTER ASSY.

CHAIN GUIDES, STEPS

	Part No.	Desc.	Qty.	lbs.
 <p>7Y1457</p>	Cat 330, 330B			
	7Y0773	Recoil & Adjuster Assembly	2	
	4I7401	Spring	2	193
	7Y1457	Adjuster Assembly	2	65
	902403	Seal Kit	2	0.1
	Komatsu PC120-6			
	PV3120	Recoil & Adjuster Assembly	2	150
	203-30-66250	Spring	2	57
	909018	Seal kit	2	0.1
	Komatsu PC200-6			
	20Y-30-29100	Recoil & Adjuster Assembly	2	
	20Y-30-29160	Spring	2	127
	20Y-30-29130	Rod Adjuster	2	43
	909021	Seal Kit	2	0.1
	Komatsu PC220-6			
	20Y-30-29100	Recoil & Adjuster Assembly	2	
	20Y-30-29160	Spring	2	127
	20Y-30-29130	Rod Adjuster	2	43
	909021	Seal Kit	2	0.1
	Komatsu PC300-6			
	207-30-68500	Recoil & Adjuster Assembly	2	610
	207-30-54140	Spring	2	127
	207-30-54120	Rod Adjuster	2	81
	909022	Seal Kit	2	0.1
	Komatsu Chain Guides			
	205-30-71242	PC200-3, PC200LC-3	4	57
	Cat Chain Guides			
	996528	E110B, E120B, 311 311B, 312, 312B	4	57
	117-5553	315, 315B, 315BL, 320, 320L E200B, EL200B, 320B, 320BL	4	77
	John Deere & Hitachi Chain Guides			
	996528	490E, 110, 120, EX100-2, EX100-3, EX120-2, EX120-3	4	57
	8059049	EX200-2, EX200-3	4	68
	AT152077	690D, 690E, 200	4	68
		John Deere & Hitachi Step		
7Y2481		490E, 110, 120, 200 690D, 690E EX100-2, EX100-3, EX120-2, EX120-3 EX200-2, EX200-3	2	8